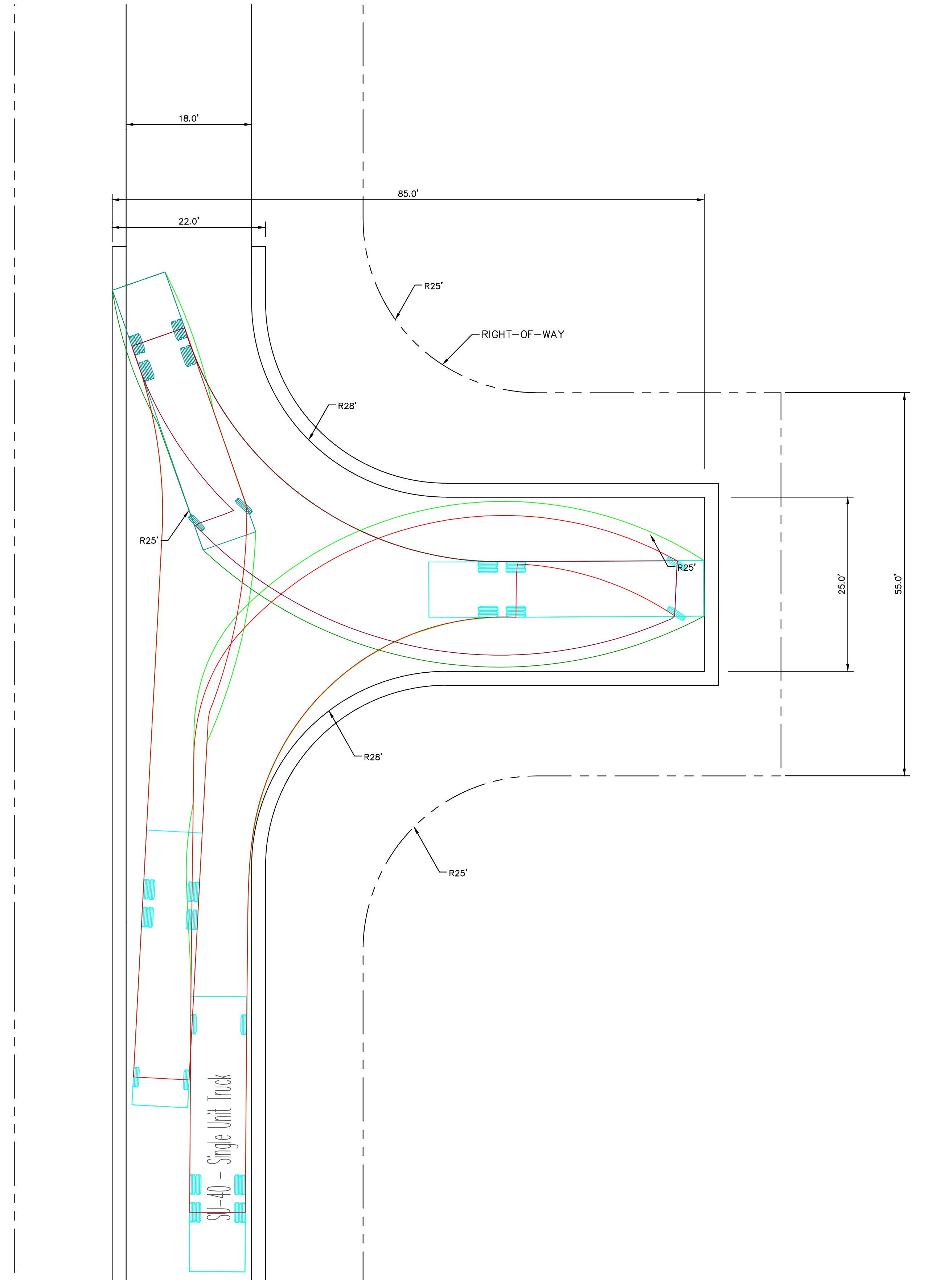
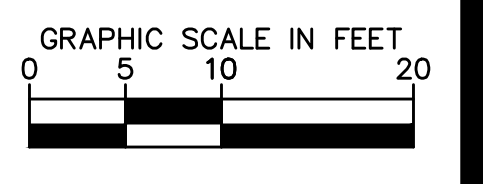


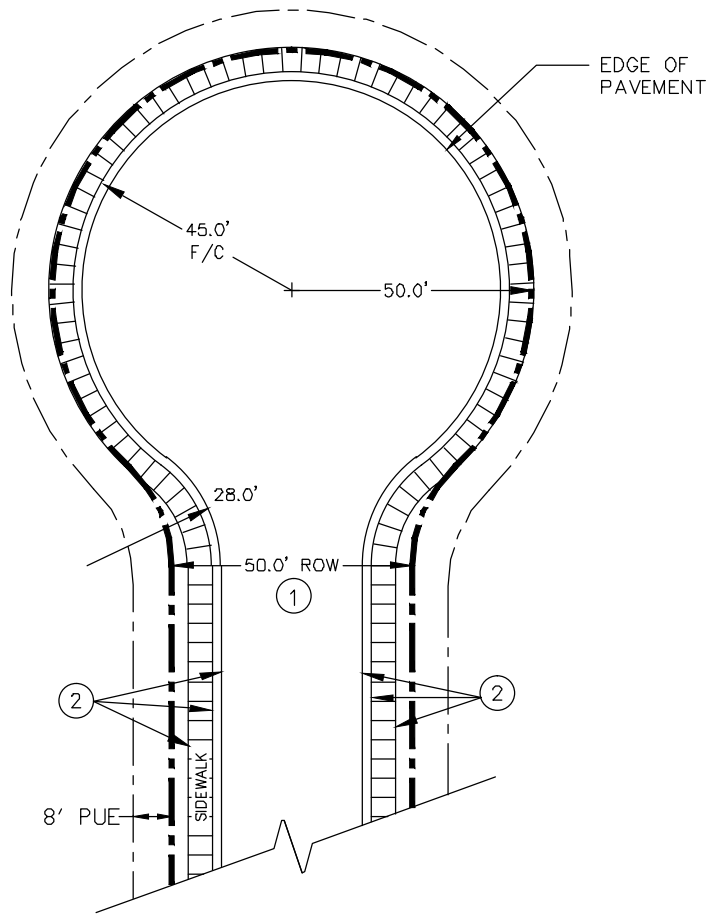
MODIFIED CUL-DE-SAC



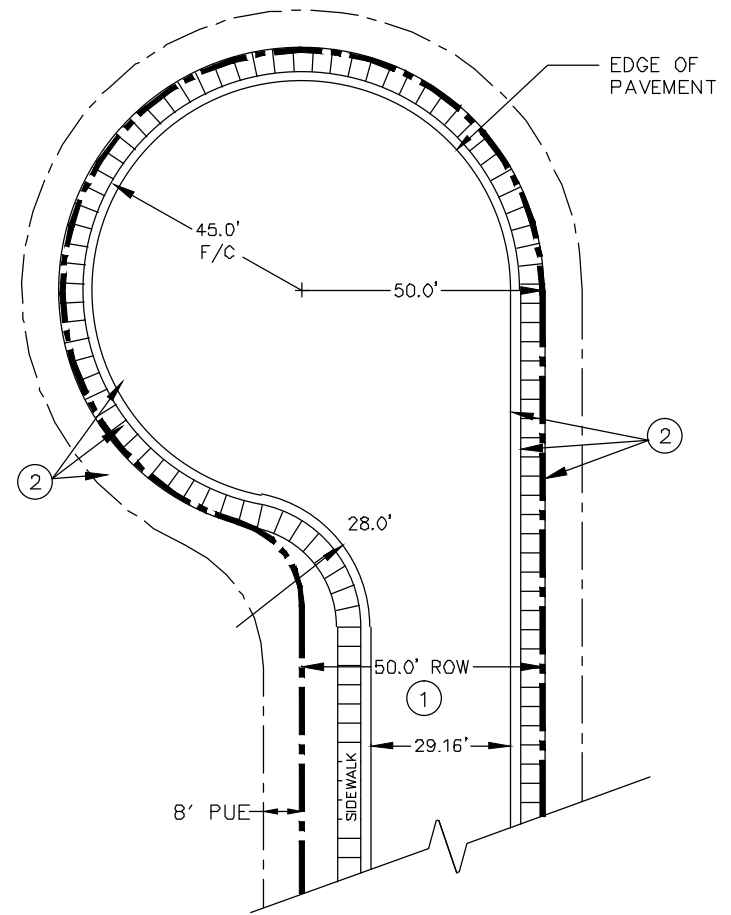
MODIFIED HAMMERHEAD

SU-40 TURNING MOVEMENT EXHIBIT





CUL-DE-SAC

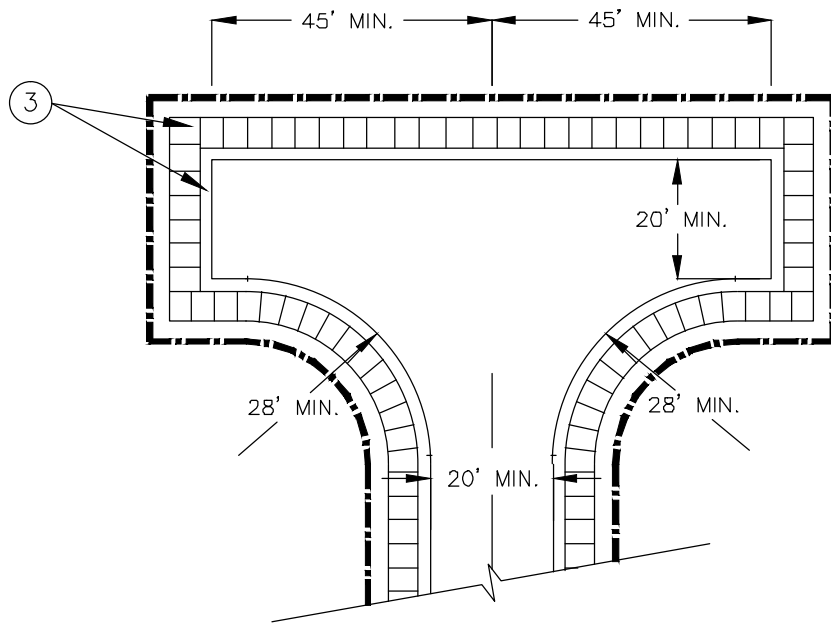


MODIFIED CUL-DE-SAC

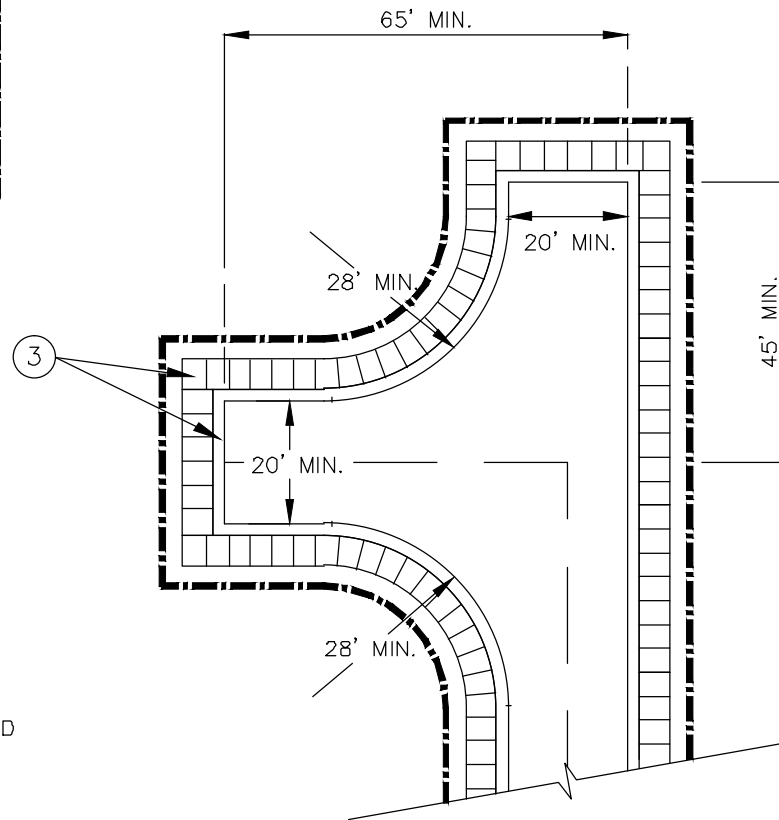
NOTES:

1. FIRE DEPARTMENT ACCESS ROADWAY WIDTHS SHALL MEET OR EXCEED THE WIDTHS INDICATED IN THE CITY STANDARD ROADWAY CROSS-SECTIONS. A MINIMUM 20' WIDE DRIVE SHALL BE PROVIDED FOR ALL OTHER CIRCUMSTANCES. A WIDER FIRE ACCESS ROADWAY WIDTH MAY BE REQUIRED AS DETERMINED BY CURRENT FIRE DEPARTMENT STANDARDS (TYPICALLY REQUIRED ADJACENT TO TALL BUILDINGS). WIDTHS SHOWN REFLECT THE CITY STANDARD LOCAL STREET CROSS-SECTION.
2. SIDEWALKS AND CURB & GUTTER SHALL BE INSTALLED AND A MINIMUM 8' PUE SHALL BE DEDICATED AROUND ALL PERMANENT PUBLIC AND PRIVATE STREET TURNAROUNDS AND IN OTHER CIRCUMSTANCES AS DETERMINED BY THE CITY ENGINEERING DEPARTMENT.
3. ROLL OR VERTICAL CURBING MAY BE USED ALONG FIRE DEPARTMENT ACCESS ROADWAYS. HOWEVER, A MINIMUM PAVED WIDTH OF 24' (B/C TO B/C) SHALL BE MAINTAINED.
4. DETACHED OR ATTACHED SIDEWALKS MAY BE USED.

DETAIL NO. G-3246-1	CITY OF GOODYEAR STANDARD DETAIL	APPROVED:08/17	FIRE DEPARTMENT ACCESS ROADWAYS & CUL-DE-SAC / MODIFIED CUL-DE-SAC TURNAROUNDS	DETAIL NO. G-3246-1
------------------------	-------------------------------------	----------------	---	------------------------



HAMMERHEAD



MODIFIED HAMMERHEAD

NOTES:

1. THE HAMMERHEAD TURNAROUND SHALL NOT BE CONSTRUCTED WITHIN A PUBLIC OR PRIVATE ROADWAY.
2. THE WIDTH OF EACH LEG IN THE HAMMERHEAD SHALL BE A MINIMUM 20' WIDE. LEG WIDTHS GREATER THAN 20' MAY BE REQUIRED AS DETERMINED BY THE CITY'S FIRE CODE (TYPICALLY REQUIRED ADJACENT TO TALL BUILDINGS).
3. WHEN DETERMINED NECESSARY BY THE CITY ENGINEERING DEPARTMENT, SIDEWALKS AND CURB & GUTTER SHALL BE INSTALLED AROUND PERMANENT HAMMERHEAD IMPROVEMENTS.
4. ROLL OR VERTICAL CURBING MAY BE USED. HOWEVER, A MINIMUM PAVED WIDTH OF 24' (B/C TO B/C) SHALL BE MAINTAINED.
5. DETACHED OR ATTACHED SIDEWALKS MAY BE USED.