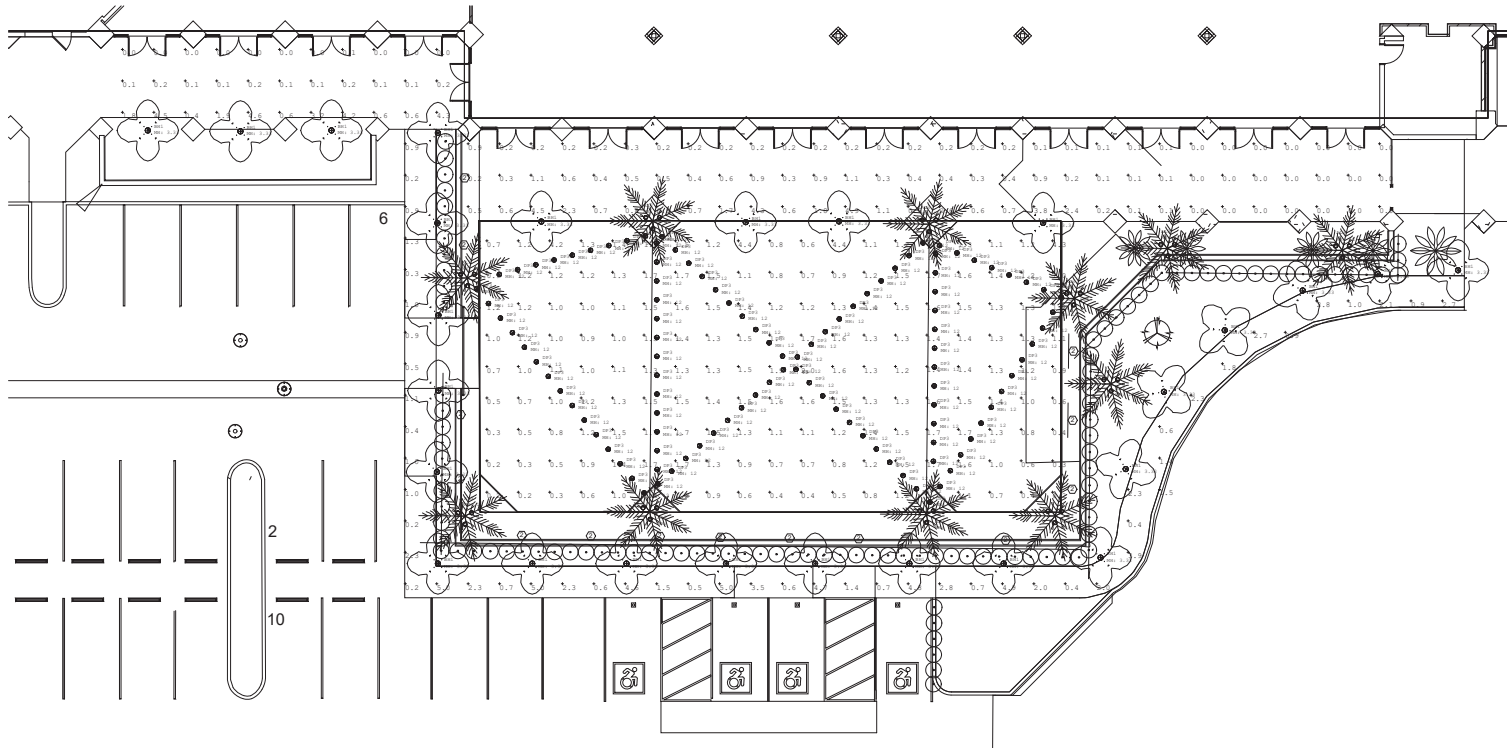


Camelback Lawn Lighting

LUMINAIRE SCHEDULE											
SYMBOL	QTY	LABEL	ARRANGEMENT	DESCRIPTION	MANUFACTURER	KELVINS	LLF	LUMINAIRE LUMENS	LUMINAIRE WATTS	TOTAL WATTS	NOTES
○	10	AL3	GROUP	TREE MOUNT LIGHT	AR-TM4.OP-LHP-AL-CA-F32-SIZE-664-MFL46LV-12-11-BRONZE WRINKLE	2700	0.900	399	6.8	204	INSTALL TO BE DIRECTED DOWNWARD
●	27	BH1	SINGLE	BOLLARD	LVA-10021-T5-W27-DM - 95 - LISMAN BRONZE	2700	0.900	531	20.6	556.2	
●	136	DP3	SINGLE	STING LIGHTS	LSA2-B-36-V-27-LUCPET_SHADE-OS-8K-8K-10-LSA4-LUC-PET	2700	0.900	96	1.07	145.52	

CALCULATION SUMMARY							
LABEL	CALCTYPE	UNITS	AVG	MAX	MIN	AVG / MIN	MAX / MIN
LAWN_TOP	ILLUMINANCE	Fc	1.35	32.8	0.2	6.75	164.00
WALKWAY_TOP	ILLUMINANCE	Fc	0.96	51.0	0.0	N.A.	N.A.



A1 CAMELBACK LAWN PHOTOMETRICS
SCALE: 1/8" = 1'-0"

5/16/2025 8:38:45 PM



DATE: 5/16/2025

PROJECT NUMBER: 25003

CAMELBACK LAWN PHOTOMETRICS

AS101

ARTI STAR - Tree Mount - Low Voltage - LED High-Power



Downloads

- [Product Images \(.zip\)](#)
- [Technical Drawing \(.zip\)](#)
- [IES Files \(.zip\)](#)
- [BIM - Revit \(.zip\)](#)
- [Installation Instructions \(.pdf\)](#)

Product Variant Examples



ARTI STAR - Tree Mount - Low Voltage - LED High-Power

Available Logic & Configurations

AR- 01 **TM-** 02 **LOD-** 03 **LHP-** 04 **AL-** 05 **-** 06C **-** 06D **-** 06F

01 SERIES

AR - ARTI STAR

02 CATEGORY

TM - Tree Mount

03 DRIVER

LOD - Low Voltage

04 LIGHT SOURCE (TYPE)

LHP - LED High-Power

05 MATERIAL

AL - Aluminum

06C STYLE

CA - Cap A - 45° (With Weephole)

CB - Cap B - 90° (With Weephole)

CC - Cap C - Flush Lens

CF - Cap F - Extended Flush Lens

06D VERSION

F28 - 2 Fixtures @ 180°

F32 - 3 Fixtures @ 120°

F49 - 4 Fixtures @ 90°

F66 - 6 Fixtures @ 60°

06F SIZE

S16 - Strap: 16" min. to 22" max. tree diameter

S21 - Strap: 21" min. to 27" max. tree diameter

S26 - Strap: 26" min. to 32" max. tree diameter

S31 - Strap: 31" min. to 38" max. tree diameter

- 07 **-** 08 **MLV-** 09 **-** 10A **-** 10B **WL00-** 11 **-** 12

07 LIGHT SOURCE

e64 - 2700K CRI80 - 7W (397 - 456 lm)

e65 - 3000K CRI80 - 7W (406 - 466 lm)

e66 - 4000K CRI80 - 7W (456 - 524 lm)

e74 - Amber - 7W (260 - 299 lm)

e79 - 2700K CRI90 - 7W

e80 - 3000K CRI90 - 7W

e81 - 3500K CRI80 - 7W

08 OPTIC

NSP - Narrow Spot (13°)

SP - Spot (16°)

SP2 - Spot (23°)

MFL - Medium Flood (31°)

09 CONTROL

MLV - MLV Dimming (Magnetic Low Voltage)

10A LENS

12 - Soft Focus

13 - Rectilinear

10B SHIELDING

00 - Not included (Standard)

11 - Honeycomb Baffle

11 WIRING LENGTH

WL00 - Standard

12 FINISH

Standard Finishes

BLP, BZP, WHP, SAP, BLW, BZW, WHW, VER

Premium Finishes

CMG, SMG, RMG, AMG, TXF, BCM, BGE, WCP, OCP, HUG, ABP, BPP, SDS,

WIR, CAP, CRM, AQW, NBP

Other - RAL

RAL

Other - Custom Color

CUS

NOTE: Not all configurations may be compatible with one another. Please configure the product for specific 2D, Photometry, Downloads, Spec Sheet and Compatible mountings and power supplies.

ARTI STAR - Tree Mount - Low Voltage - LED High-Power

Features



Anti-condensation vent allows moisture to exit the fixture but never enter in



Lens factory adhered to fixture cap providing hermetically sealed optical compartment



Manufactured in the USA with sustainable processes



Aim & Lock knuckle eliminates need for re-aiming & adjustments



Water-tight anti-siphon plug prevents moisture ingress from wireways



Secured with tamper-resistant, stainless steel hardware



Easily replaceable modular components reduce waste and extend fixture life



Slip fit cap & high temp. silicone 'O' ring provides reliable water-tight seal



Solid billet fixture body provides unmatched durability and heat management

WARNING: This is a low voltage product. Please check "Mountings With A Power Supply" or "Power Supplies" to order remote transformer separately.

Technical

Driver: Low Voltage

Light Source (Type): LED High-Power

Material: Aluminum

CCT (K): Amber, 2700, 3500, 3000, 4000

CRI: 80, 90

Input Power (W): 7

Delivered Lumens (lm): 260 - 524

Beam Angle (°): 13, 16, 23, 31

Control: MLV Dimming (Magnetic Low Voltage)

Style: Cap A - 45° (With Weephole), Cap B - 90° (With Weephole), Cap C - Flush Lens, Cap F - Extended Flush Lens

Version: 2 Fixtures @ 180°, 3 Fixtures @ 120°, 4 Fixtures @ 90°, 6 Fixtures @ 60°

Size: Strap: 16" min. to 22" max. tree diameter, Strap: 21" min. to 27" max. tree diameter, Strap: 26" min. to 32" max. tree diameter, Strap: 31" min. to 38" max. tree diameter

Lens: Soft Focus, Rectilinear

Shielding: Not included (Standard), Honeycomb Baffle

Wiring Length: Standard

Finish: Standard Finishes, Premium Finishes, Other - RAL, Other - Custom Color

Body: Unibody design with enclosed, water-proof wireway, integral heat sink, fully machined from solid billet, anti-condensation and corrosion vent equalizes fixture pressure and eliminates potential for damage to internal components.

Material Detail: Tree Ring - 1/8" thick AISI 304 stainless steel. Fixture - copper-free aluminum (6061-T6).

Aiming: 180° vertical adjustment via 2 1/4" dia. knuckle. Mounting anchor base with set screws provides 360° horizontal rotation. Design withstands 73 lb. static load prior to movement for optical alignment. Fixture mounts via base plate.

Light Source Detail: High power LEDs modular design with electrical disconnects.

Optics: Interchangeable optics permit changes in the field.

Hardware: Tamper-resistant, stainless steel hardware. Luminaire hardware is black oxide treated for additional corrosion resistance.

Sealing: 'O' Ring provides water-tight seal., Anti-condensation and corrosion vent equalizes fixture pressure and eliminates potential for damage to internal components.

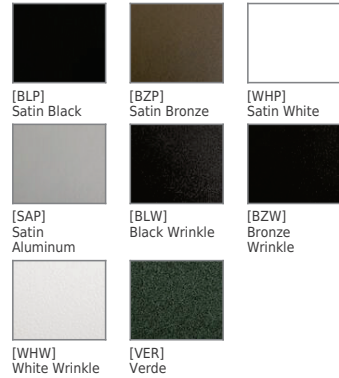
Finish Detail: StarGuard, our 15-stage chromate-free process, cleans and conversion coats aluminum components prior to application of Class 'A' TGIC polyester powder coating. It is RoHS compliant.

Warranty: 5-year limited warranty.

ARTI STAR - Tree Mount - Low Voltage - LED High-Power

Finishes

STANDARD FINISHES



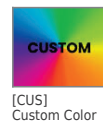
PREMIUM FINISHES



OTHER - RAL



OTHER - CUSTOM COLOR



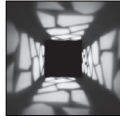
ARTI STAR - Tree Mount - Low Voltage - LED High-Power

Light Source

Light Source	Optic	Beam Angle	CCT (K)	CRI	R9	Input Power (W)	Delivered Lumens (Lm)	CBCP
e64	NSP - Narrow Spot	13	2700	80	>15	7	456	5993
e64	SP - Spot	16	2700	80	>15	7	445	4546
e64	SP2 - Spot	23	2700	80	>15	7	397	1726
e64	MFL - Medium Flood	31	2700	80	>15	7	399	1131
e65	NSP - Narrow Spot	13	3000	80	>15	7	466	6131
e65	SP - Spot	16	3000	80	>15	7	455	4650
e65	SP2 - Spot	23	3000	80	>15	7	406	1766
e65	MFL - Medium Flood	31	3000	80	>15	7	409	1157
e66	NSP - Narrow Spot	13	4000	80	>15	7	524	6889
e66	SP - Spot	16	4000	80	>15	7	511	5225
e66	SP2 - Spot	23	4000	80	>15	7	456	1984
e66	MFL - Medium Flood	31	4000	80	>15	7	459	1300
e74	NSP - Narrow Spot	13	Amber			7	299	3927
e74	SP - Spot	16	Amber			7	291	2978
e74	SP2 - Spot	23	Amber			7	260	1131
e74	MFL - Medium Flood	31	Amber			7	262	741
e79	NSP - Narrow Spot	13	2700	90	>50	7		
e79	SP - Spot	16	2700	90	>50	7		
e79	SP2 - Spot	23	2700	90	>50	7		
e79	MFL - Medium Flood	31	2700	90	>50	7		
e80	NSP - Narrow Spot	13	3000	90	>50	7		
e80	SP - Spot	16	3000	90	>50	7		
e80	SP2 - Spot	23	3000	90	>50	7		
e80	MFL - Medium Flood	31	3000	90	>50	7		
e81	NSP - Narrow Spot	13	3500	80	>15	7		
e81	SP - Spot	16	3500	80	>15	7		
e81	SP2 - Spot	23	3500	80	>15	7		
e81	MFL - Medium Flood	31	3500	80	>15	7		

UVA-10021

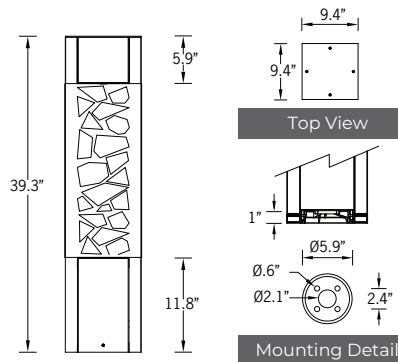
Vancouver 11 Bollard



Shadow Effect



21w COB 570 Lumens
 IP65 - Suitable For Wet Locations
 IK08 - Impact Resistant (Vandal Resistant)
 Weight 18 lbs



Construction

Aluminum
 Less than 0.1% copper content - Marine Grade 6060 extruded & LM6 Aluminum High Pressure die casting provides excellent mechanical strength, clean detailed product lines and excellent heat dissipation.

Pre-paint
 8 step degrease and phosphate process that includes deoxidizing and etching as well as a zinc and nickel phosphate process before product painting.

Memory Retentive -Silicon Gasket
 Provided with special injection molded "fit for purpose" long life high temperature memory retentive silicon gaskets. Maintains the gaskets exact profile and seal over years of use and compression.

Thermal management
 LM6 Aluminum is used for its excellent mechanical strength and thermal dissipation properties in low and high ambient temperatures. The superior thermal heat sink design by Ligman used in conjunction with the driver, controls thermal below critical temperature range to ensure maximum luminous flux output, as well as providing long LED service life and ensuring less than 10% lumen depreciation at 50,000 hours.

Surge Suppression
 Standard 10kv surge suppressor provided with all fixtures.

BUG Rating
 B1 - U1 - G0

Finishing
 All Ligman products go through an extensive finishing process that includes fettling to improve paint adherence.

Paint
 UV Stabilized 4.9Mil thick powder coat paint and baked at 200° C. This process ensures that Ligman products can withstand harsh environments. Rated for use in natatoriums.

MicroPRIM Finishes

MicroPRIM is Ligman's trade marked decorative powder coating technology that permanently infuses colors, patterns, or imagery directly into the surface of luminaires and poles while providing protections that standard powder coating does not offer.

MicroPRIM finishes include nature-inspired wood grains and stone aesthetics, material-inspired finishes such as brushed metal, concrete, and carbon fiber, Solid colors in Ligman standard colors, as well as any RAL or Pantone color, Decorative patterns, custom imagery and more.

Coating and Infusion Process

Metal components are pre-treated and powder coated with a proprietary polyurethane-based coating engineered for outdoor architectural use. Decorative patterns or imagery are then permanently infused into the cured powder coat through a heat-based process, creating a durable, integrated finish.

Performance and Validation

MicroPRIM finishes are suitable for indoor and outdoor applications and meet AAMA2605 architectural coating requirements. Performance is validated through laboratory and real-world testing to ASTM standards for UV exposure, adhesion, abrasion, impact, salt spray, chemical resistance, and graffiti resistance.

All MicroPRIM finishes are backed by Ligman's 10-year warranty.

- Key Performance Attributes**
- Anti-graffiti resistance
 - UV and weather resistance
 - Scratch and abrasion resistance
 - Natatorium Rated for installation in corrosive environments

Hardware
 Provided Hardware is Marine grade 316 Stainless steel.

Anti Seize Screw Holes
 Tapped holes are infused with a special anti seize compound designed to prevent seizure of threaded connections, due to electrolysis from heat, corrosive atmospheres and moisture.

Crystal Clear Low Iron Glass Lens
 Provided with tempered, impact resistant crystal clear low iron glass ensuring no green glass tinge.

Optics & LED
 Precise optic design provides exceptional light control and precise distribution of light.
 LED CRI > 80

Lumen - Maintenance Life
 L80 /B10 at 50,000 hours (This means that at least 90% of the LED still achieve 80% of their original flux)

Contemporary urban lighting furniture.
Open-sided, three lattice pattern options or your bespoke design.

A stylish Dark Sky Compliant square high performance bollard with downward light distribution using LED lamps. This light column offers optimal visual comfort through glare control by utilizing a controlled optics designed by Ligman. These bollards have a square design providing a unique wide light distribution, offering an architecturally appealing clover leaf pattern on the paving. The internal sides of the supporting pillars are accented by light from the LED.

Color temperature 2700K, 3000K, 3500K and 4000K. The minimalist shape provides distinctive lighting effects by night and decorative urban effect during the day. Suitable for pedestrian areas, precincts, building surrounds, shopping centers, squares and parks. The Vancouver Bollard comes standard with a unique waterproof internal driver housing compartment that is situated at the top of the pole to stop water and dust from entering the electrical components. This fixture is supplied completely wired with powercord and waterproof gland from the driver enclosure to the base of the column to ensure quick trouble-free installation.

The Vancouver has a specially designed anchor bolt mounting base that is partially buried below ground level to provide a flush fixture finish with the surface, but maintains the rigidity that is required when installing bollards.

Custom bollard heights are available, please specify. Provided with anchor bolts Reduced custom wattages can be provided to suit customer requirements. (Specify total watt requirement per fixture)

• **NOTE: For the round version of the Vancouver, please see the Benton Light Column and Bollard**

To meet International Dark Sky criteria, 3000k or warmer LEDs must be selected.



PROJECT	<input type="text"/>	DATE	<input type="text"/>
---------	----------------------	------	----------------------

QUANTITY	<input type="text"/>	TYPE	<input type="text"/>	NOTE	<input type="text"/>
----------	----------------------	------	----------------------	------	----------------------

ORDERING EXAMPLE || UVA - 10021 - 21w - T2 - W30 - 02 - 120/277v - Options

UVA-10021	<input type="text"/>	<input type="text"/>	<input type="text"/>	<input type="text"/>	<input type="text"/>
	LAMP	BEAM	LED COLOR	FINISH COLOR	VOLTAGE
	21w COB 570 Lumens	T1 - Type I Distribution T2 - Type II Distribution T3 - Type III Distribution T4 - Type IV Distribution T5 - 65° Beam	W27 - 2700K W30 - 3000K W35 - 3500K W40 - 4000K	01 - BLACK RAL 9011 02 - DARK GREY RAL 7043 03 - WHITE RAL 9003 04 - METALLIC SILVER RAL 9006 05 - MATTE SILVER RAL 9006 06 - LIGMAN BRONZE 07 - CUSTOM RAL	120/277v

<input type="text"/>	<input type="text"/>	<input type="text"/>
----------------------	----------------------	----------------------

ADDITIONAL OPTIONS

- | | |
|------------------------|-----------------------------|
| NAT - Natatorium Rated | HGT - Custom Bollard Height |
| DIM - 0-10v Dimming | GFCI - GFCI Box |
| | OPAL - Opal Lens |

More Custom Finishes Available Upon Request

Consult factory for pricing and lead times

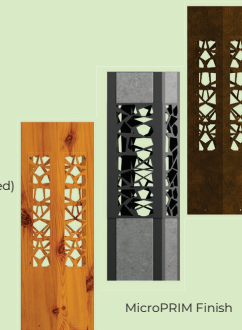
MicroPRIM FINISHES

- SW01 - OAK FINISH
- SW02 - WALNUT FINISH
- SW03- PINE FINISH
- DF - DOUGLAS FIR FINISH
- CW - CHERRY WOOD FINISH
- NW - NATIONAL WALNUT FINISH
- SU01 - CONCRETE FINISH
- SU02 - SOFTSCAPE FINISH
- SU03 - STONE FINISH
- SU04 - CORTEN FINISH
- CSM - Custom Image/Pattern

MicroPRIM FINISHES

- MP - MAPLE FINISH
- MHG - MAHOGANY FINISH
- BH - BEECH FINISH
- CN - CHESTNUT FINISH
- WMBL - WHITE MARBLE FINISH
- MBL - MARBLE FINISH
- GRNT - GRANITE FINISH
- BGD - BRUSHED GOLD FINISH
- BBRZ - BRUSHED BRONZE FINISH
- CAMO - CAMOUFLAGE FINISH

- MP01 - MicroPRIM RAL 9011 Black (Glossy)
- MP02 - MicroPRIM RAL 7043 Dark Grey (Glossy)
- MP03 - MicroPRIM RAL 9003 White (Glossy)
- MP04 - MicroPRIM RAL 9006 Metallic Silver (Glossy)
- MP05 - MicroPRIM RAL 9006 Matte Silver (Matte/Textured)
- MP06 - MicroPRIM Ligman Bronze (Glossy)
- MP07 - MicroPRIM Custom Color (Glossy)



MicroPRIM Finish





LITESPHERE 2.0

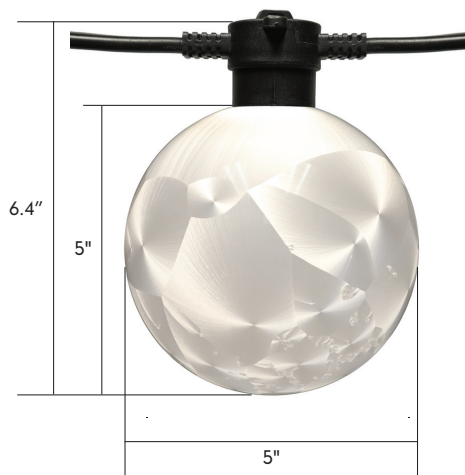
AND



Project: _____ TYPE: _____

- The next evolution of ADAPT delivers a robust specification-grade strand with factory molded standard spacing for consistent quality from start to finish
- Litesphere ADAPT 2.0 design provides optional suspended mounting or a twist-off cap for surface applications
- Available DarkSky option with added light shade
- 12V DC Low voltage system for long runs
- Socket and cord color available in black or white
- PET ADAPT Globe for shatter-proof performance
- IP67
- cULus
- 5 Year warranty

Dimensions





Strand Order Guide - Standard Globe

Note: For suspension application, a catenary cable is required for proper installation. Please contact Tivoli for recommendations on unique mounting applications.

Product	Wire	Spacing	LED Type	LED Color	Globe	Voltage
LSA2 Litesphere ADAPT 2.0	B = Black W = White*	12 = 12" OC 18 = 18" OC 24 = 24" OC 36 = 36" OC 48 = 48" OC	V = Very High Output	19 = 1900K 27 = 2700K 30 = 3000K 35 = 3500K 40 = 4000K 50 = 5000K AM = Amber RB = Royal Blue RD = Red GN = Green YL = Yellow TS = Turtle Safe	GINPET = Gina ANGPET = Angela KATPET = Katie LUCPET = Lucia JENPET = Jennifer JOAPET = Joanne MNPET = Manqi BREPET = Brenda ELZPET = Elizabeth	12 = 12V DC

*For wire color white contact Factory for MOQ and lead time

Note: Optional Light Shade are needed to comply with DarkSky requirements. Consult factory for lead time and available style and sizes - see page 7

Strand Order Guide - Color Globe

Note: For suspension application, a catenary cable is required for proper installation. Please contact Tivoli for recommendations on unique mounting applications.

Product	Wire	Spacing	LED Type	LED Color	Globe	Voltage
LSA2 Litesphere ADAPT 2.0	B = Black W = White*	12 = 12" OC 18 = 18" OC 24 = 24" OC 36 = 36" OC 48 = 48" OC	V = Very High Output	35 = 3500K**	GRNPET = Cosmic Green PNKPET = Nebula Pink PURPET = Celestial Purple YELPET = Solar Yellow	12 = 12V DC

**For wire color white contact Factory for MOQ and lead time

**3500K CCT is recommended for best color result

Note: Optional Light Shade are needed to comply with DarkSky requirements. Consult factory for lead time and available style and sizes - see page 7

Power Lead Order Guide

Figure A - All Litesphere ADAPT 2.0 are evenly cut between globes according to specified spacing.
 Figure B - Power leads are added to the end cut, extending the total length of the power lead.

LSL2-XEP-X-XX

X = B (Black), W (White)
 XX = 05 (5'), 10 (10'), 15 (15'), 20 (20'), 25 (25')
 For custom length consult factory

Figure A

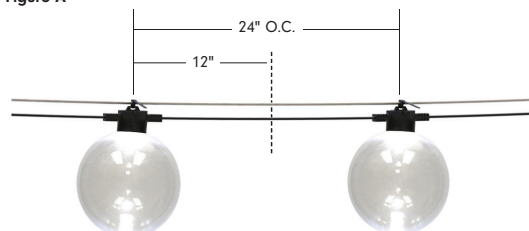
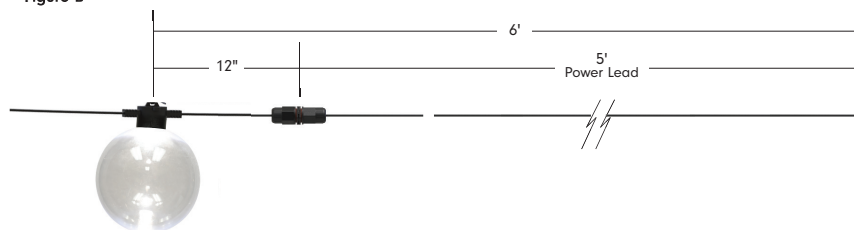


Figure B



Jumper Order Guide

Figure A - All Litesphere ADAPT 2.0 are evenly cut between globes according to specified spacing.
 Figure B - Jumpers are added between the cuts, extending the total length of wire between globes.

LSL2-JUMPER-X-XX

X = B (Black), W (White)
 XX = 05 (5'), 10 (10')
 For custom length consult factory

Figure A

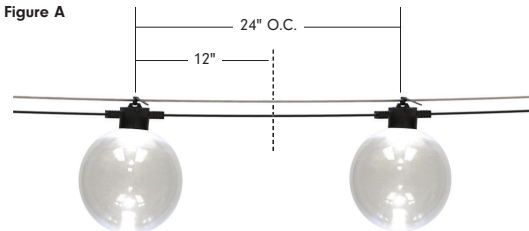
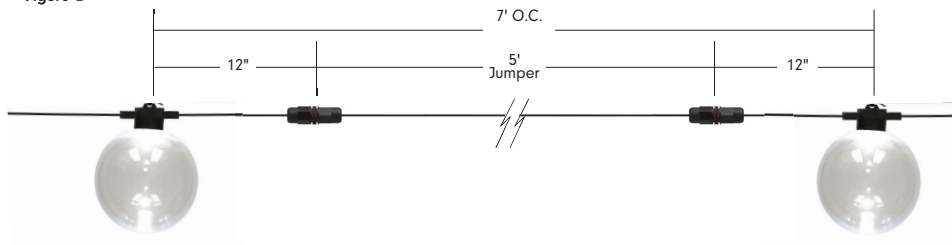


Figure B





Specifications

Electrical					
Spacing	12"	18"	24"	36"	48"
Maximum Electrical Run	55'	70'	80'	90'	100'
Watts/ft	0.84	0.56	0.42	0.28	0.21
Input Voltage	12V DC				

Physical	
Dimensions (G120)	7.1" H x 5" W
Dimensions (ST19)	6.7" H x 2.375" W
Socket Housing	PVC
American Wire Gauge	14 AWG
Globe	PET (Shatter proof)
Mounting	Surface Mount, Suspended
Operating Temperature	-40°C to 65°C (-40°F to 149°F)

Certification and Testing	
Certification	cULus
Environment	Wet Location
Lumen Maintenance (L70)	70,000
IP Rating	IP67
Warranty	5 Years

Control	
Control System	0-10V, ELV, MLV, DMX 512 (Dim to 1% with an Infinity power supply and a 0-10V Lutron Diva dimmer)

Weights (G125)					
lb/ft w/strand	0.44	0.35	0.29	0.17	0.15
lb/ft w/cable	0.46	0.37	0.31	0.19	0.17

Weights (ST19)					
lb/ft w/strand	0.34	0.28	0.24	0.14	0.13
lb/ft w/cable	0.36	0.30	0.26	0.16	0.15

EPA (Side)					
G125	0.11	0.07	0.06	0.04	0.03
ST19	0.05	0.03	0.03	0.02	0.01
Hat 8"	0.07	0.05	0.04	0.02	0.02
Hat 13"	0.12	0.08	0.06	0.04	0.03
Dish 10"	0.05	0.03	0.03	0.02	0.01
Flower 10"	0.06	0.04	0.03	0.02	0.02
Flower 13"	0.08	0.05	0.04	0.03	0.02

Delivered Lumen

Output - GINPET (3500K)					
Spacing	12"	18"	24"	36"	48"
Lumens/ft	76.5	51	38.25	25.5	19.13

Output - ANGPET (3500K)					
Spacing	12"	18"	24"	36"	48"
Lumens/ft	76.5	51	38.25	25.5	19.13

Output - JOAPET (3500K)					
Spacing	12"	18"	24"	36"	48"
Lumens/ft	72.6	48.4	36.3	24.2	18.15

Output - KATPET (3500K)					
Spacing	12"	18"	24"	36"	48"
Lumens/ft	CF	CF	CF	CF	CF

Output - MNQPET (3500K)					
Spacing	12"	18"	24"	36"	48"
Lumens/ft	CF	CF	CF	CF	CF

Output - LUCPET (3500K)					
Spacing	12"	18"	24"	36"	48"
Lumens/ft	82.8	55.2	41.4	27.6	20.7

Output - BREPET (3500K)					
Spacing	12"	18"	24"	36"	48"
Lumens/ft	62.5	41.67	31.25	20.83	15.63

Output - JENPET (3500K)					
Spacing	12"	18"	24"	36"	48"
Lumens/ft	71.8	47.87	35.9	23.93	17.95

Output - ELZPET (3500K)					
Spacing	12"	18"	24"	36"	48"
Lumens/ft	79.5	53	39.75	26.5	19.88

Output - GRNPET (3500K)					
Spacing	12"	18"	24"	36"	48"
Lumens/ft	39.8	26.53	19.9	13.27	9.95

Output - PNKPET (3500K)					
Spacing	12"	18"	24"	36"	48"
Lumens/ft	38.9	25.93	19.45	12.97	9.73

Output - YELPET (3500K)					
Spacing	12"	18"	24"	36"	48"
Lumens/ft	65.5	43.67	32.75	21.83	16.38

Output - PURPET (3500K)					
Spacing	12"	18"	24"	36"	48"
Lumens/ft	18.6	12.4	9.3	6.2	4.65

Mounting Options

SURFACE/FLUSH

For surface mount applications, remove the top suspension-plate by turning counter-clockwise until off. Place socket flush against the desired surface and mount using proper screws according to substrate.



SUSPENDED

Suspended mounting will use a combination of LS-Cable, LS-Locks with LS-UVZP. Tension the cable wire with our LS-TT (Tension Tool) for desired sag (Please adhere to local city code for suspended application).

Note: For suspension application, a catenary cable is required for proper installation. Please contact Tivoli for recommendations on unique mounting applications.



Mounting Accessories

Warning: For suspension application, catenary cable is required to support the product, otherwise the warranty will be void.



LS-CABLE-X
X = 60 (60'), **110** (110'),
500 (500')
 1/8" Galvanized cable includes (2) cable locks for use with loads up to 200lbs
 Note: 500' no locks included



LS-LOCK-X
X = 2 (2 pcs), **4** (4 pcs)
 Includes (1) release key
 Cable Lock for 1/8" cable, support loads up to 200 lbs.



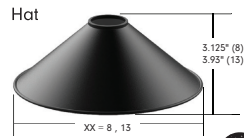
LS-TT
 Cable tensioning tool up to 880lbs with 6:1 gear drive with integral torque gauge controls



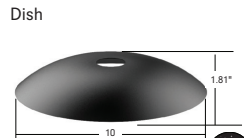
LS-UVZP-BK-XX
XX = 30 (30 pcs), **50** (50 pcs)
 Black UV resistant, heavy duty ties maximum weight up to 100 lbs./per tie

Light Shade Accessories

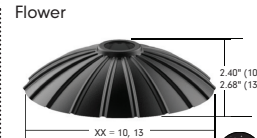
Note: Light Shade needed for DarkSky compliance



SHADE-HT-BK-XX-XX
XX = BK (black), **CO*** (copper)
XX = 8 (8.3"), **13**** (12.6")
 Black top, black/copper bottom
 Weight: 0.46 lb (8), 1.2 lb (13)



SHADE-DS-BK-BK-10
 10.2" Black top, black bottom
 Weight: 0.76 lb



SHADE-FL-BK-BK-XX
XX = 10 (9.8"), **13** (13.8")
 Black top, black bottom
 Weight: 0.63 lb (10), 1.48 lb (13)



SHADE-ADP-LSL2-XX-XX
XX = BK (Black), **WH*** (White)
XX = 01 (1pc), **25** (25pcs), **50** (50pcs)
 Litesphere 2.0 Shade Adapter kit
Note: One adaptor required for each shade

*Only available for 13 (Hat)

**Consult factory for lead time and MOQ

ADAPT Globe /Replacement

Note: Polyethylene Terephthalate (PET) globe for 100% shatter proof design
 PET globes should not be exposed to industrial alcohol



LSA2-MNQ-PET
 Manqi PET Globe
 Diffused Pearl Design



LSA2-LUC-PET
 Lucia PET Globe
 Clear Design



LSA2-JEN-PET
 Jennifer PET Globe
 Simulated Cracked Design



LSA2-JOA-PET
 Joanne PET Globe
 Simulated Fragmented Design



LSA2-GIN-PET
 Gina PET Globe
 Clear with Frosted Design



LSA2-KAT-PET
 Katie PET Globe
 Clear with Frosted Design
LSA2-KAT-F-PET
 Slightly Frosted with
 Frosted Design



LSA2-ANG-PET
 Angela PET Globe
 Clear with Frosted Design



LSA2-BRE-PET
 Brenda PET Globe
 Classic S19 Vintage Profile



LSA2-GRN-PET
 Cosmic Green Colored PET
 Globe



LSA2-PNK-PET
 Nebula Pink Colored PET
 Globe



LSA2-PUR-PET
 Celestial Purple Colored PET
 Globe



LSA2-YEL-PET
 Solar Yellow Colored PET
 Globe



LSA2-ELZ-PET
 Elizabeth PET Globe
 Opalescent Bubble Design

Replacement Parts



LSL2-INT-X
X = B (black), **W*** (white)
 Connector to join the strand
 Sold each



LSL2-EC-X-(PK20)
X = B (black), **W*** (white)
 Litesphere 2.0 End-Cap
 Sold each
 (add **PK20** for pack of 20)
 Weight: 0.0375 lb/each



LSL-XX-V-12
XX = 19, 27, 30, 35, 40, 50*,
AM*, RD*, RB*, GN*, YL*, TS*
 12V VHO Wedge Base LED
 Sold each

*Contact Factory for MOQ and lead time

In-Wall Controls



Touchscreen

TVOQ-1-WH
 White
 16 DMX channel, 16 scene,
 4 zone, glass touch screen



Touchscreen

TVOQ-10-XX-7
XX = BK (Black), **WH** (White)
 1024 DMX channel, 500 scene,
 10 zone, glass touch screen



Touchscreen

TVOQ-2-BK
 Black
 512 DMX channel, 99 scene



Power Supplies

INFINITY - MLV / ELV / 0-10V / PWM / TRIAC

Dim to 1% with a 0-10V Lutron Diva dimmer (by others)

DESCRIPTION	CAT NO	APPLICATION	PRIMARY VOLTAGE	SECONDARY VOLTAGE	CIRCUIT BREAKERS	MAX LOAD	MIN LOAD	CIRCUIT CAPACITY
Infinity Series Class 2 Transformer	INF-J-30-1-2.5-12	Indoor / Outdoor	100 - 277V AC	12V DC	1	30W	3W	2.5A
	INF-J-60-1-5-12				1	60W	6W	5A
	INF-J-180-3-5-12				3	3x60W	3x6W	3x5A
	INF-J-300-5-5-12				5	5x60W	5x6W	5x5A

ADNM - NON DIMMING

DESCRIPTION	CAT NO	APPLICATION	PRIMARY VOLTAGE	SECONDARY VOLTAGE	CIRCUIT BREAKERS	MAX LOAD	CIRCUIT CAPACITY
ADNM Series Class 2 Transformer	ADNM-60-1-5-12-D	Indoor / Outdoor	100-277V AC 50/60 HZ	12V DC	1	60W	5A
	ADNM-80-1-5-12-D				1	60W	5A
	ADNM-150-2-5-12-D				2	2x60W	2x5A
	ADNM-240-3-5-12-D				3	3x60W	3x5A
	ADNM-320-4-5-12-D				4	4x60W	4x5A

ADNM - 0-10V DIMMING

DESCRIPTION	CAT NO	APPLICATION	PRIMARY VOLTAGE	SECONDARY VOLTAGE	CIRCUIT BREAKERS	MAX LOAD	CIRCUIT CAPACITY
ADNM Series Class 2 Transformer	ADNM-60-1-5-12-DOT	Indoor / Outdoor	100-277V AC 50/60 HZ	12V DC	1	60W	5A
	ADNM-80-1-5-12-DOT				1	60W	5A
	ADNM-150-2-5-12-DOT				2	2x60W	2x5A
	ADNM-240-3-5-12-DOT				3	3x60W	3x5A
	ADNM-320-4-5-12-DOT				4	4x60W	4x5A

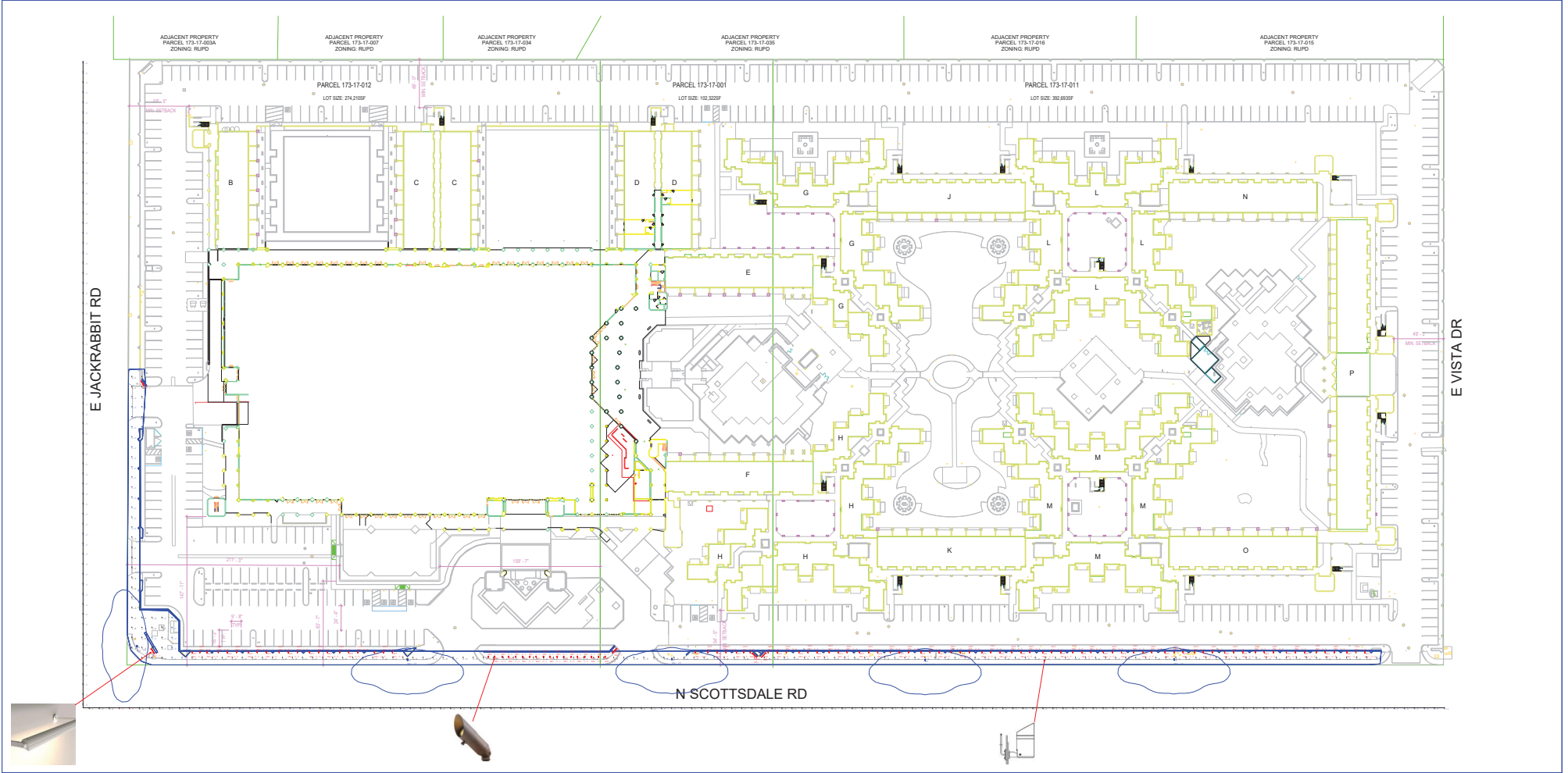
ADNM - DMX SINGLE ADDRESS

DESCRIPTION	CAT NO	APPLICATION	PRIMARY VOLTAGE	SECONDARY VOLTAGE	CIRCUIT BREAKERS	MAX LOAD	CIRCUIT CAPACITY
ADNM Series Class 2 Transformer	ADNM-60-1-5-12-DIN	Indoor / Outdoor	100-277V AC 50/60 HZ	12V DC	1	60W	5A
	ADNM-80-1-5-12-DIN				1	60W	5A
	ADNM-150-2-5-12-DIN				2	2x60W	2x5A
	ADNM-240-3-5-12-DIN				3	3x60W	3x5A
	ADNM-320-4-5-12-DIN				4	4x60W	4x5A

ADNM - DMX MULTI ADDRESS

DESCRIPTION	CAT NO	APPLICATION	PRIMARY VOLTAGE	SECONDARY VOLTAGE	CIRCUIT BREAKERS	MAX LOAD	CIRCUIT CAPACITY
ADNM Series Class 2 Transformer	ADNM-150-2-5-12-DIN-2	Indoor / Damp	100-277V AC 50/60 Hz	12V DC	2	2x60W	5A
	ADNM-240-3-5-12-din-3				3	3x60W	3x5A

Scottsdale Road Perimeter Lighting

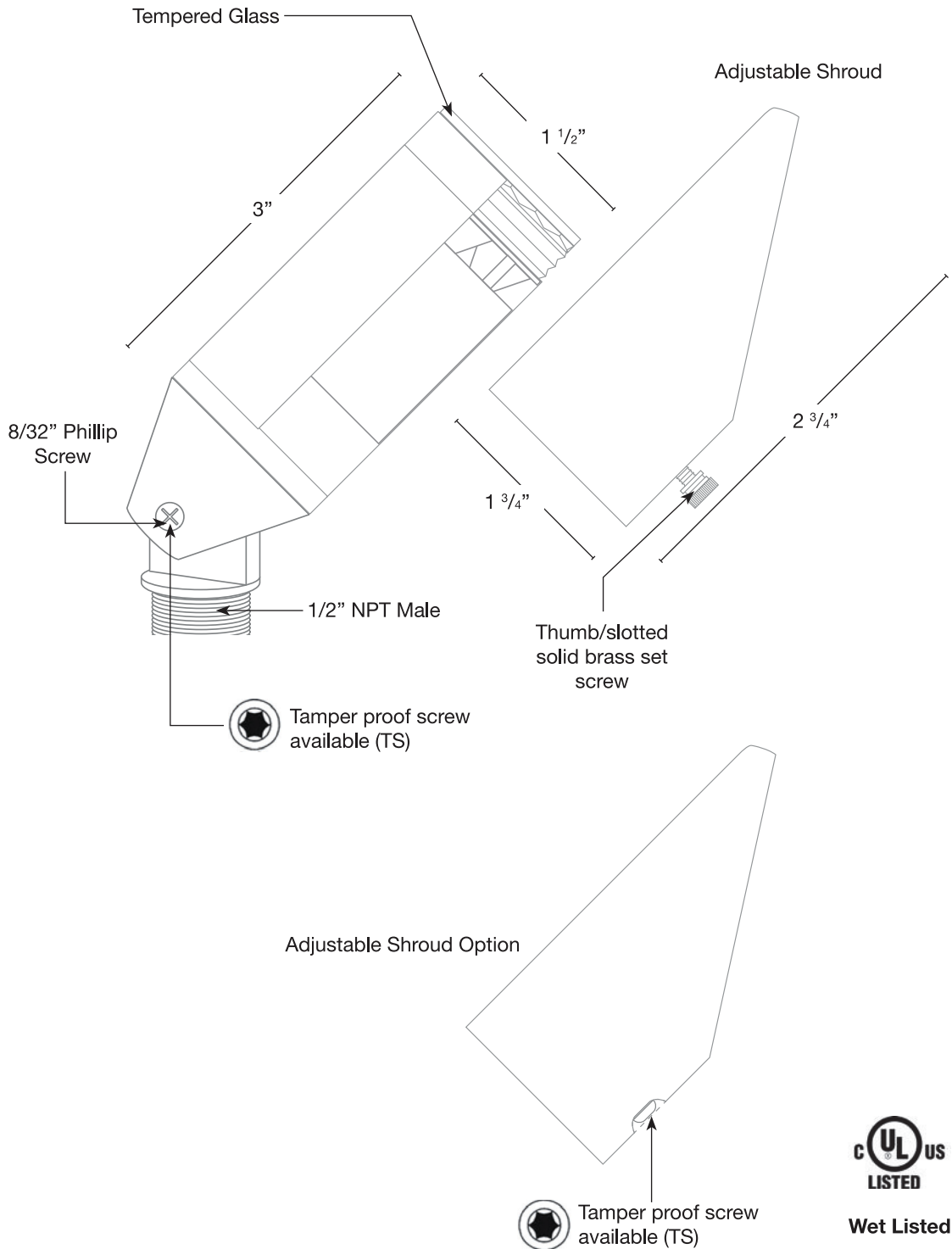


NO.	DESCRIPTION	DATE	BY
1	PRELIMINARY		
2	REVISED		
3	REVISED		
4	REVISED		
5	REVISED		
6	REVISED		
7	REVISED		
8	REVISED		
9	REVISED		
10	REVISED		
11	REVISED		
12	REVISED		
13	REVISED		
14	REVISED		
15	REVISED		
16	REVISED		
17	REVISED		
18	REVISED		
19	REVISED		
20	REVISED		
21	REVISED		
22	REVISED		
23	REVISED		
24	REVISED		
25	REVISED		
26	REVISED		
27	REVISED		
28	REVISED		
29	REVISED		
30	REVISED		
31	REVISED		
32	REVISED		
33	REVISED		
34	REVISED		
35	REVISED		
36	REVISED		
37	REVISED		
38	REVISED		
39	REVISED		
40	REVISED		
41	REVISED		
42	REVISED		
43	REVISED		
44	REVISED		
45	REVISED		
46	REVISED		
47	REVISED		
48	REVISED		
49	REVISED		
50	REVISED		
51	REVISED		
52	REVISED		
53	REVISED		
54	REVISED		
55	REVISED		
56	REVISED		
57	REVISED		
58	REVISED		
59	REVISED		
60	REVISED		
61	REVISED		
62	REVISED		
63	REVISED		
64	REVISED		
65	REVISED		
66	REVISED		
67	REVISED		
68	REVISED		
69	REVISED		
70	REVISED		
71	REVISED		
72	REVISED		
73	REVISED		
74	REVISED		
75	REVISED		
76	REVISED		
77	REVISED		
78	REVISED		
79	REVISED		
80	REVISED		
81	REVISED		
82	REVISED		
83	REVISED		
84	REVISED		
85	REVISED		
86	REVISED		
87	REVISED		
88	REVISED		
89	REVISED		
90	REVISED		
91	REVISED		
92	REVISED		
93	REVISED		
94	REVISED		
95	REVISED		
96	REVISED		
97	REVISED		
98	REVISED		
99	REVISED		
100	REVISED		

GH1



MODEL: **THE BEAST**
 MATERIAL: **Solid Brass**
 FINISH SHOWN: **Matte Bronze**
 ELECTRICAL: **12-15v**
 WATTAGE: **6W**
 LED: **COB Bridgelux 93 CRI**
 ENGINE: **FB-6W-NCYL**
 LUMENS: **400**
 MOUNTING: **1/2" NPT. Dual Fin Spike Included**
 OPTION: **Tamper proof screw option for swivel & adjustable shroud (TS)**



FINISHES

- Matte Bronze (MBR)
- Verde (V)
- Moss (M)
- Black (B)
- Rusty (R)
- Satin Brass (SB)
- Aged Brass (AG)
- Raw Copper (RC)
- Natural Copper (NC)

PVD PREMIUM

- PVD Polished (PVDP)
- PVD Satin (PVDS)
- PVD Graphite (PVDG)
- PVD Bronze (PVDBZ)
- PVD Black (PVDBL)

WATTAGE	LUMENS
<input type="checkbox"/> 6W	400 SOURCE 179 DELIVERED

LED: COB Bridgelux 93 CRI

COLOR TEMPERATURE

- 2700K
- 3000K

ELECTRICAL

- 12-15V

OPTICS

- SPOT 19d
- FLOOD 38d
- WIDE FLOOD 54d
- WIDE ANGLE FLOOD 120d



Wet Listed



Ordering Example

Customer Approval

Date

THE BEAST-MBR-6W-27K-12-15V-TS

PROJECT: _____ TYPE: _____ CATALOG #: MX- _____ - _____ - _____ - _____ - _____ - _____ - _____ - _____

PROFILE

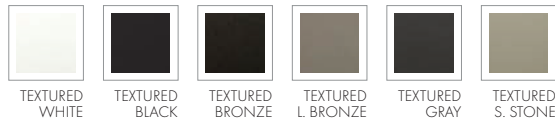
LIGHT SOURCE	3.5 W/FT, 9.0 W/FT, 15.0 W/FT
OPTICS	7° X 60°, 10° X 10°, 10° X 60°, 10° X 90°, 20° X 20°, 20° X 60°, 40° X 40°, 40° X 60°, 40° X 90°, 60° X 60°, 90° X 90° 80° X 80°, ASYMMETRIC GRAZE
CCT	27K, 30K, 35K, 40K, RED, GREEN, BLUE, AMBER, LFS
CRI	82 (± 200)
PERFORMANCE	UP TO 117,530 PEAK CANDELA
VOLTAGE	UNIVERSAL 110-208V, 277V
POWER	REMOTE POWER SUPPLY
CONTROL	0-10V DIMMING, DMX DIMMING, LUTRON HI-LUME
DIMENSIONS	3.25" X 4.25"
HOUSING	EXTRUDED ALUMINUM HOUSING
LENS	TEMPERED GLASS
FINISH	HIGH DURABILITY POWDER COATING
WARRANTY	5-YEAR LIMITED
OPERATING TEMP	-20°C TO 50°C (PLEASE CONTACT FACTORY FOR EXTREME TEMPERATURES)
LUMEN MAINTENANCE	75,000 HOURS
CERTIFICATION	ETL AND cETL FOR WET LOCATION, CLASS 1, IP67



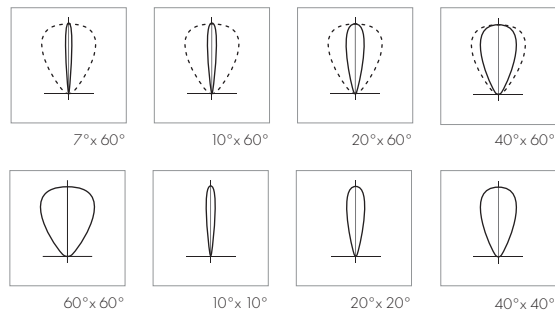
FIXTURES SHOWN:
MX-MO-4000K-U-ASY-24-DIM-TWH-CRF



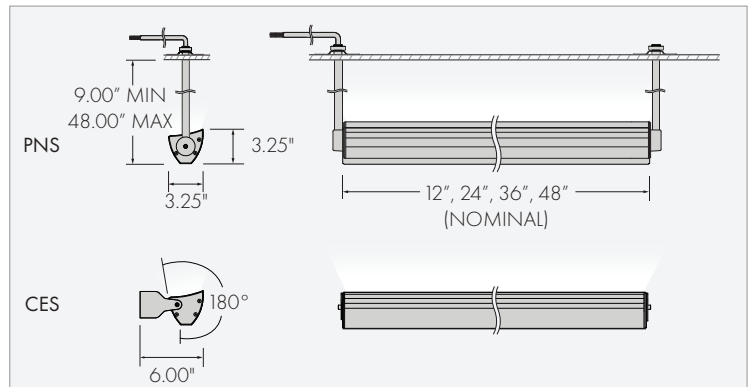
STANDARD FINISHES



OPTICS Not all available optics shown



DIMENSIONS



PROJECT: _____ TYPE: _____ CATALOG #: MX- _____ - _____ - _____ - _____ - _____ - _____ - _____ - _____

SPECIFICATION

MX _____

Separate options with dashes

1 2 3 4 5 6 7 8 9 10

1 FIXTURE

MEDLEY X	MX
----------	----

2 WATTAGE

LOW OUTPUT 3.5 W/FT	LO
MEDIUM OUTPUT 9.0 W/FT	MO
HIGH OUTPUT 15 W/FT	HO

3 CCT

2200K	2200K
2700K	2700K
3000K	3000K
3500K	3500K
4000K	4000K
RED	REDST
GREEN	GRNST
BLUE	BLUST
AMBER	AMBST

Kelvin tunable 2200K-6500K
Contact factory for additional CCT combinations

4 LIGHT DIRECTION

UPLIGHT	U
DOWNLIGHT	D

5 OPTICAL DISTRIBUTION

7° X 60°	760
10° X 10°	1010
10° X 10° optic is intended for a 6.00" fixture setback from the surface	
10° X 60°	1060
10° X 90°	1090
20° X 20°	2020
20° X 60°	2060
20° X 90°	2090
40° X 40°	4040
40° X 60°	4060
40° X 90°	4090
60° X 60°	6060
60° X 90°	6090
80° X 80°	8080

ASYM GRAZE UPLIGHT, LEFT POWER FEED ¹	ASUL
ASYM GRAZE UPLIGHT, RIGHT POWER FEED ¹	ASUR
ASYM GRAZE DOWNLIGHT, LEFT POWER FEED ¹	ASDL
ASYM GRAZE DOWNLIGHT, RIGHT POWER FEED ¹	ASDR

¹ Asym Graze: [See page 4 for details.](#)

6 MOUNTING

SINGLE FIXTURES	
CLOSE END	CES
SURFACE	SMS
EXTENDED ARM	EAS-X
PENDANT	PNS-X
FIXTURE RUNS	
EXTENDED ARM	EAM-X 18"
PENDANT	PNM-X

7 FIXTURE LENGTH

12"	12
24"	24
36"	36
48"	48

CONTINUOUS RUN X

Specify run length in 1' increments (ex: 20FT).
Contact factory as drawings are required
Continuous run option (CR) must be included.
[See pg 8 for typical continuous run layouts.](#)

LENGTH PER PLAN

8 CONTROL OPTIONS

NON DIMMING ²	NON
0-10V DIMMING (1%) OR LUTRON L2DOE HI-LUME ²	DIM

DMX DIMMING ³ DIMX
² Power supplies must be ordered. See below.
² Dimming controls to be supplied by others.
³ Default factory setting is DMX System Resolution
³ Fixtures are not pre-addressed/labelled at the factory. A DMXCAT Tool is required for on-site fixture resolution/addressing. See below.
³ A CDS/RDM Distribution Kit is required. Must be ordered separately. See below.
³ DMX controls are required. Order separately.

PLEASE SPECIFY

9 FIXTURE FINISH

TEXTURED WHITE	TVWH
TEXTURED BLACK	TBL
TEXTURED BRONZE	TBR
TEXTURED LIGHT BRONZE	TLB
TEXTURED GRAY	TGR
TEXTURED NATURAL	TNA
TEXTURED SANDSTONE	TSA
CUSTOM COLOR	CUS

Contact factory for custom color. Additional charges will apply.

10 OPTIONS

CONTINUOUS RUN	CR
HIGH CRI	HIC
LOUVER	LV
CORROSION RESISTANT FINISH	CRF

CRF complies with ASTM B 117. CRF is recommended for coastal or extreme exterior environments

REMOTE POWER SUPPLIES & DMX TOOLS (ORDER SEPARATELY)

CONTRA EXTERIOR REMOTE POWER SUPPLIES - REQUIRED	PART NUMBER
NO DIMMING - 96W, 120V-277V	CEL
DMX DIMMING - 96W, 120V-277V	CEL
0-10V DIMMING - 96W, 120V-277V	CELDIM
LUTRON L3DOE - 96W, 120V-277V	CELLU
EcoSystem 24V constant voltage with Soft-on, Fade to Black dimming. Dimming control system to be supplied by others.	
NO DIMMING - 240W, 120V-277V	CES
DMX DIMMING - 240W, 120V-277V	CES
0-10V DIMMING - 240W, 120V-277V	CESDIM
NO DIMMING - 480W [2-240W], 120V-277V	CEH
DMX DIMMING - 480W [2-240W], 120V-277V	CEH
0-10V DIMMING - 480W [2-240W], 120V-277V	CEHDIM

Above wattages are based on 75% of the Power Supply total wattage capacity. See page 9 for maximum fixtures per power supply.

CDS-RDM - REQUIRED FOR DMX DIMMING	PART NUMBER
DMX/RDM DISTRIBUTION KIT - IP67	SA27411
Consists of 4 outputs Each output is limited to (1) run per output - up to 96 fixtures max	

DMXCAT - REQUIRED FOR DMX DIMMING	PART NUMBER
REMOTE DMX/RDM ADDRESSING & MONITORING TOOL - IP67	SA27636
Uses Bluetooth LE technology for communication with the smartphone and the DMXcat app (up to a 50' range). Allows for on-site fixture resolution and addressing.	

DMX TERMINATOR - REQUIRED FOR DMX DIMMING	PART NUMBER
J-BOX DMX TERMINATOR	EL10462
DMX terminator must be installed on the data line in the jbox of each last fixture of each run.	

PROJECT: [] TYPE: [] CATALOG #: MX - [] - [] - [] - [] - [] - [] - [] - [] - []

PERFORMANCE

CCT AND FIXTURE LENGTH	OPTIC	LOW OUTPUT (3.5 W/FT)			MEDIUM OUTPUT (9.0 W/FT)			HIGH OUTPUT (15.0 W/FT)		
		DELIVERED LUMENS (LM)	EFFICACY (LM/W)	PEAK CANDELA (CBCP)	DELIVERED LUMENS (LM)	EFFICACY (LM/W)	PEAK CANDELA (CBCP)	DELIVERED LUMENS (LM)	EFFICACY (LM/W)	PEAK CANDELA (CBCP)
4000K, 24"	7° X 60°	998	107.0	3,662	1,685	110.0	6,189	3,366	98.0	12,363
	10° X 10°	932	100.5	17,011	1,566	103.0	28,686	3,158	91.2	58,765
	10° X 60°	804	86.6	2,904	1,348	88.4	4,871	2,709	77.3	9,972
	20° X 20°	948	102.1	7,658	1,601	102.4	12,983	3,238	93.3	26,193
	20° X 60°	862	92.8	1,893	1,451	96.2	3,207	2,914	84.6	6,379
	40° X 40°	1001	108.0	1,395	1,688	111.0	2,338	3,392	98.8	4,733
	40° X 60°	896	96.7	724	1,497	98.6	1,211	3,039	88.1	2,470
	60° X 60°	993	107.1	882	1,666	109.3	1,485	3,354	97.7	2,999
	80° X 80°	912	98.2	585	1,525	100.0	976	3,081	88.8	1,980
	100° X 100°	620	86.8	263	1,964	93.3	829	3,230	94.4	1,370
ASY	888	96.3	3,134	1,473	97.8	5,199	2,890	88.2	9,369	
4000K, 36"	7° X 60°	1,496	107.0	5,492	2,527	110.0	9,283	5,048	98.0	18,544
	10° X 10°	1,398	100.5	25,516	2,349	103.0	43,029	4,737	91.2	88,148
	10° X 60°	1,205	86.6	4,357	2,022	88.4	7,306	4,063	77.3	14,957
	20° X 20°	1,421	102.1	11,486	2,402	102.4	19,474	4,856	93.3	39,289
	20° X 60°	1,292	92.8	2,840	2,177	96.2	4,810	4,371	84.4	9,569
	40° X 40°	1,502	108.0	2,093	2,531	111.0	3,506	5,088	98.8	7,100
	40° X 60°	1,344	96.7	1,086	2,245	98.6	1,817	4,559	88.1	3,704
	60° X 60°	1,489	107.1	1,322	2,499	109.3	2,228	5,031	97.7	4,499
	80° X 80°	1,368	98.2	877	2,287	100.1	1,464	4,621	88.8	2,970
	100° X 100°	929	86.8	394	2,946	93.3	1,244	4,844	94.4	2,054
ASY	1,332	96.3	4,700	2,209	97.8	7,798	4,335	88.2	14,053	
4000K, 48"	7° X 60°	1,995	107.0	7,323	3,369	110.0	12,377	6,731	98.0	24,725
	10° X 10°	1,864	100.5	34,021	3,132	103.0	57,372	6,316	91.2	117,530
	10° X 60°	1,607	86.6	5,809	2,696	88.4	9,741	5,417	77.3	19,943
	20° X 20°	1,895	102.1	15,315	3,202	102.4	25,965	6,475	93.3	52,385
	20° X 60°	1,723	92.8	3,786	2,902	96.2	6,413	5,828	84.6	12,758
	40° X 40°	2,002	108.0	2,790	3,375	110.7	4,675	6,784	98.8	9,466
	40° X 60°	1,792	96.7	1,448	2,993	98.6	2,422	6,078	88.1	4,939
	60° X 60°	1,985	107.1	1,763	3,332	109.3	2,970	6,708	97.7	5,998
	80° X 80°	1,824	98.2	1,169	3,049	100.1	1,952	6,161	88.8	3,960
	100° X 100°	1,239	86.8	525	3,928	93.3	1,658	6,459	94.4	2,739
ASY	1,776	96.3	6,267	2,945	97.8	10,397	5,780	88.2	18,787	

THE ABOVE DATA IS FOR 0-10V DIMMING. MULTIPLY THE 0-10V DATA BY 0.80 (LLF) FOR DMX DIMMING ON ALL WHITE LIGHT.

ALL INSIGHT WHITE LIGHT IES FILES ARE CALCULATED WITH 4000K. FOR ESTIMATIONS OF ADDITIONAL CCTS, PLEASE USE THE FOLLOWING MULTIPLIERS:

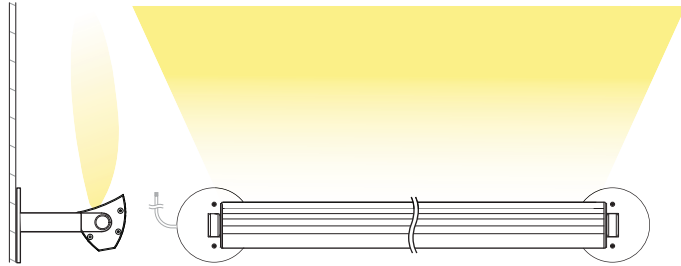
	2700K MULTIPLIER	3000K MULTIPLIER	3500K MULTIPLIER
LUMEN MULTIPLIERS	0.87	0.90	0.95

MULTIPLY THE 4000K LUMEN DATA BY THE ABOVE MULTIPLIERS

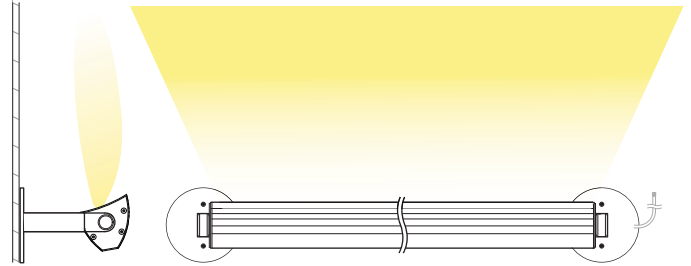
PROJECT: [] TYPE: [] CATALOG #: MX- [] - [] - [] - [] - [] - [] - [] - [] - [] - []

ASYMMETRIC DISTRIBUTIONS/LIGHT DIRECTION /FEED LOCATIONS

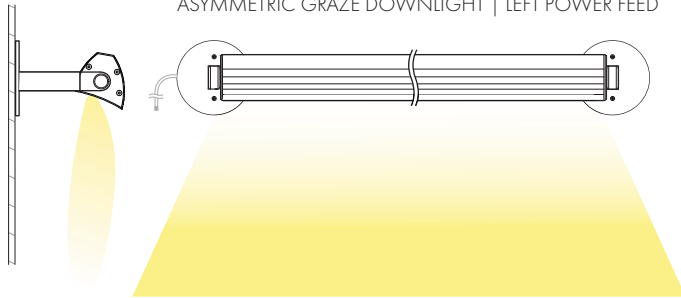
ASYMMETRIC GRAZE UPLIGHT | LEFT POWER FEED



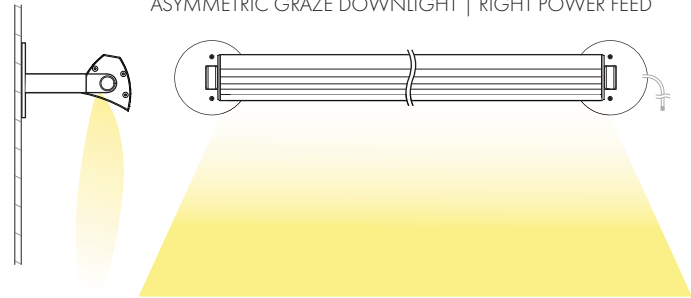
ASYMMETRIC GRAZE UPLIGHT | RIGHT POWER FEED



ASYMMETRIC GRAZE DOWNLIGHT | LEFT POWER FEED



ASYMMETRIC GRAZE DOWNLIGHT | RIGHT POWER FEED

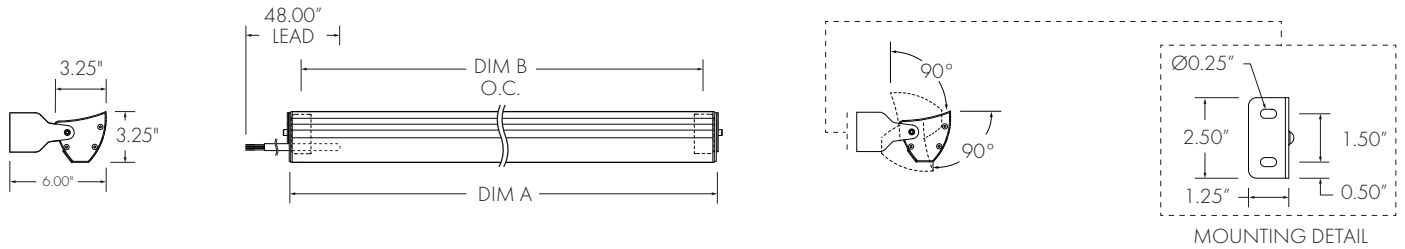


PROJECT: _____ TYPE: _____ CATALOG #: MX- _____ - _____ - _____ - _____ - _____ - _____ - _____ - _____

DIMENSIONS

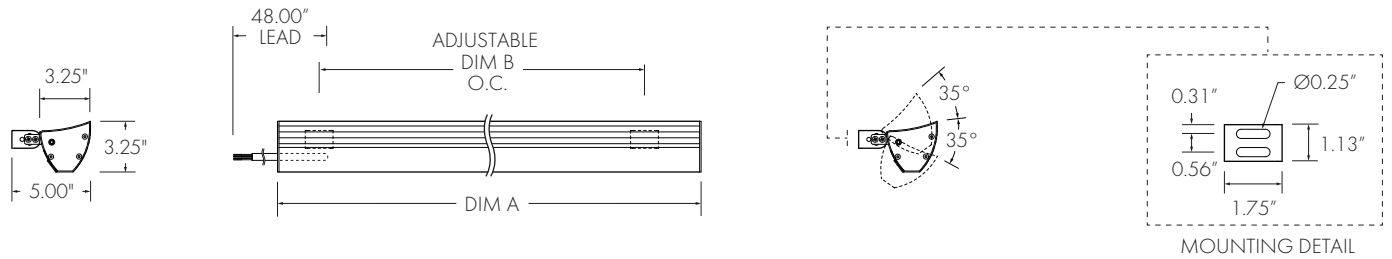
CLOSE END (CES)

FIXTURE LENGTH	12"	24"	36"	48"
DIM A	15.13"	27.13"	39.13"	51.13"
DIM B	14.13"	26.13"	38.13"	50.13"



SURFACE (SMS)

FIXTURE LENGTH	12"	24"	36"	48"
DIM A	15.13"	27.13"	39.13"	51.13"
DIM B	6.00" MIN 9.00" MAX	6.00" MIN 21.00" MAX	12.00" MIN 33.00" MAX	24.00" MIN 45.00" MAX

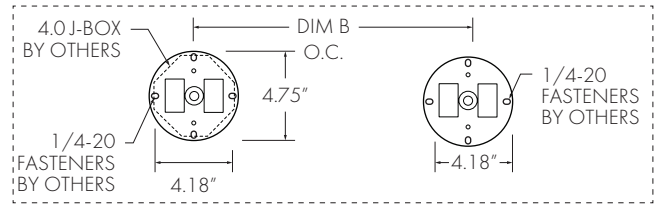
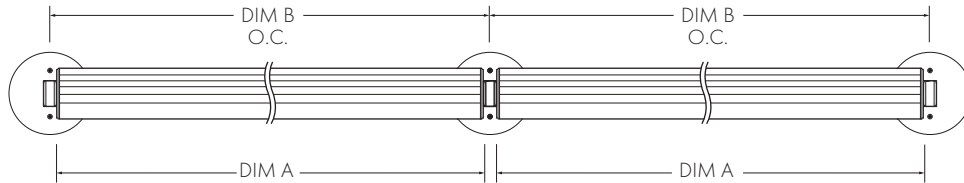
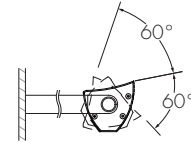
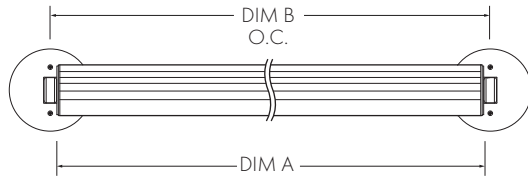
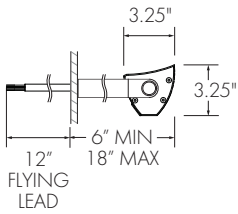


PROJECT: _____ TYPE: _____ CATALOG #: MX- _____ - _____ - _____ - _____ - _____ - _____ - _____ - _____

DIMENSIONS

EXTENDED ARM (EAS AND EAM)

FIXTURE LENGTH	12"	24"	36"	48"
DIM A	15.13"	27.13"	39.13"	51.13"
DIM B	15.88"	27.88"	39.88"	51.88"

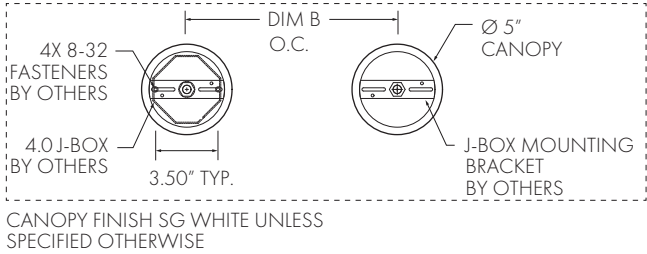
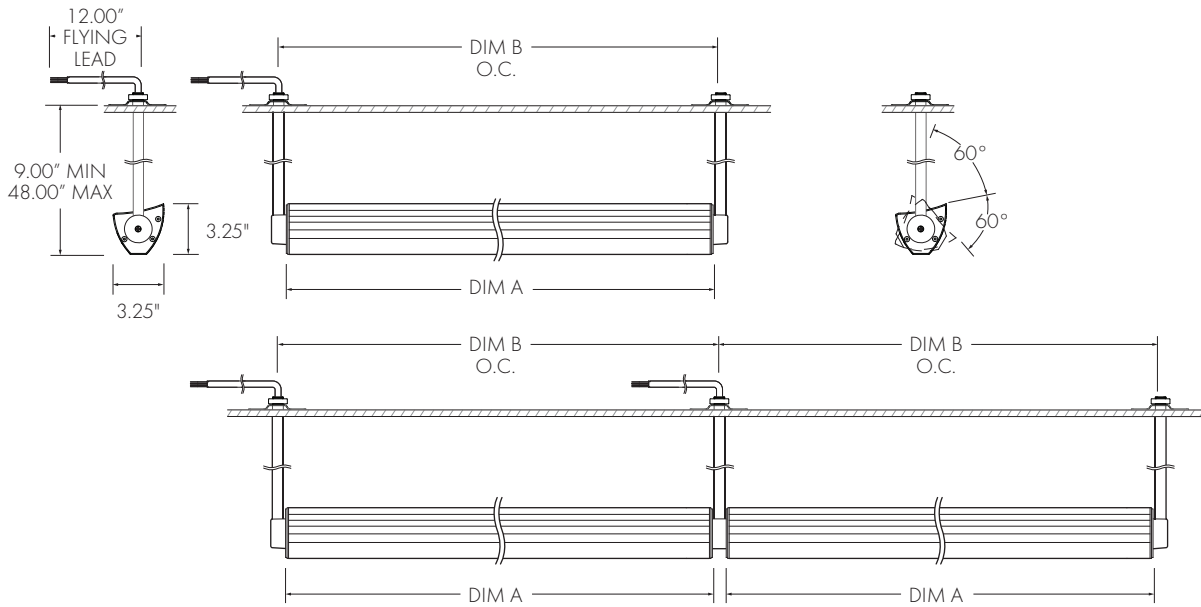


PROJECT: _____ TYPE: _____ CATALOG #: MX- _____ - _____ - _____ - _____ - _____ - _____ - _____ - _____

DIMENSIONS

PENDANT (PNS AND PNM)

FIXTURE LENGTH	12"	24"	36"	48"
DIM A	15.13"	27.13"	39.13"	51.13"
DIM B	16.19"	28.19"	48.19"	52.19"



PROJECT: [] TYPE: [] CATALOG #: MX- [] - [] - [] - [] - [] - [] - [] - [] - [] - []

TYPICAL CONTINUOUS RUN LAYOUTS

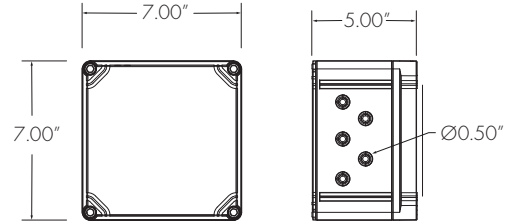
ROW LENGTH	QUANTITY		
	4' FIXTURES	3' FIXTURES	2' FIXTURES
8'	2		
9'		3	
10'	2		1
11'	2	1	
12'	3		
13'	1	3	
14'	3		1
15'	3	1	
16'	4		
17'	3	1	1
18'	4		1
19'	4	1	
20'	5		
21'	4	1	1
22'	5		1
23'	5	1	
24'	6		
25'	5	1	1
26'	6		1
27'	6	1	
28'	7		
29'	6	1	1
30'	7		1
31'	7	1	
32'	8		
33'	7	1	1
34'	8		1
35'	8	1	
36'	9		
37'	8	1	1
38'	9		1
39'	9	1	
40'	10		

PROJECT: [] TYPE: [] CATALOG #: MX - [] - [] - [] - [] - [] - [] - [] - [] - []

DIMENSIONS

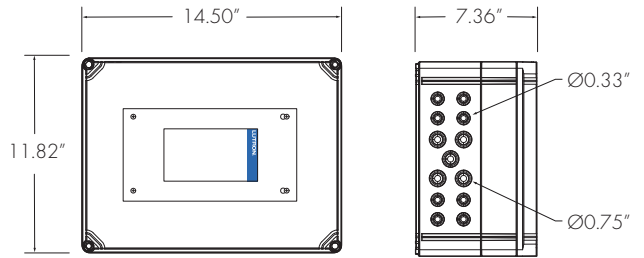
CONTRA EXTERIOR 96W POWER SUPPLY (FOR NON-DIMMING, 0-10V DIMMING AND DMX)

MAX WATTAGE: 96W
STANDARD WITH FIXTURES: MEDLEY X
DESCRIPTION: THIS ENCLOSURE IS INTENDED FOR EXTERIOR USE WITH 90W POWER SUPPLIES.



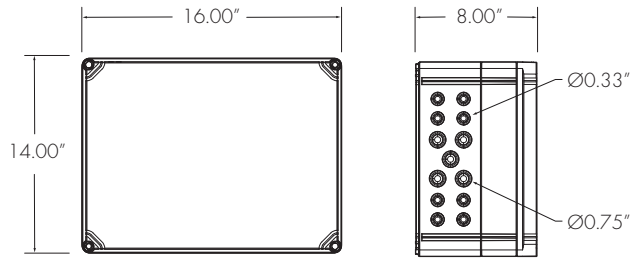
CONTRA EXTERIOR 96W SUPPLY, LUTRON L3DOE - CELLU (HI-LUME PREMIER 0.1% ECOSYSTEM)

MAX WATTAGE: 96W FOR LUTRON L3DOE
STANDARD WITH FIXTURES: MEDLEY X
DESCRIPTION: THIS ENCLOSURE IS INTENDED FOR EXTERIOR USE



CONTRA EXTERIOR 240W AND 480W (2-240W) POWER SUPPLY - CES / CEH (0-10V DIMMING, DMX DIMMING)

MAX WATTAGE: 240W AND 2 X 240W
STANDARD WITH FIXTURES: MEDLEY X
DESCRIPTION: THIS ENCLOSURE IS INTENDED FOR EXTERIOR USE WITH 240W, TWO 24W POWER SUPPLIES.



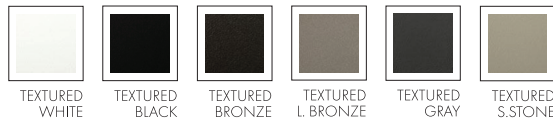
PROJECT: _____ TYPE: _____ CATALOG #: PS3-SO- _____ - _____ - _____ - _____ - _____ - _____

PROFILE

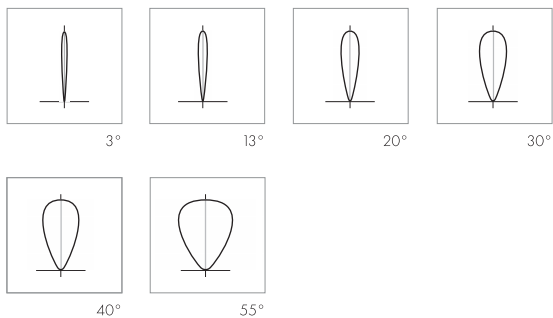
OUTPUT	10 W
OPTICS	6°, 13°, 20°, 30°, 40°, 55°
WHITE CCT	2200K, 2700K, 3000K, 3500K, 4000K
STATIC COLORS	RED, GREEN, BLUE, AMBER
PERFORMANCE	UP TO 109.2 LM/W
VOLTAGE	120V OR 277V
POWER	INTEGRATED POWER SUPPLY
DIMMING	0-10V, DMX DIMMING
WEIGHT	3.0 LBS
HOUSING	DIE-CAST ALUMINUM
LENS	TEMPERED GLASS
FINISH	HIGH DURABILITY POWDER COATING
WARRANTY	5-YEAR LIMITED
OPERATING TEMP	-30° C TO 50° C
LUMEN MAINTENANCE	75,000 HOURS
CERTIFICATION	ETL , CETL, IP66, OPTIONAL 3G



FINISHES



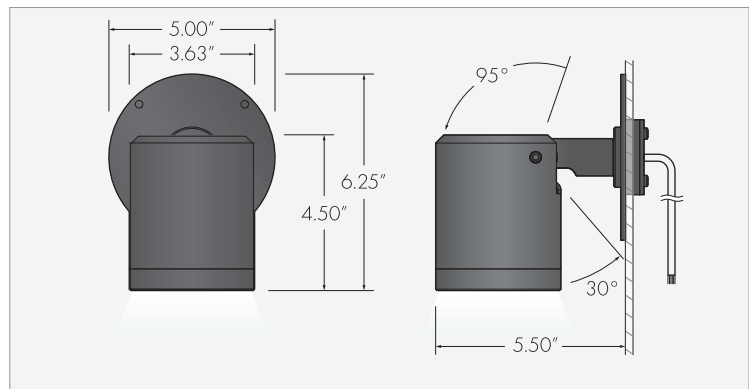
OPTICS



PERFORMANCE SAMPLE [Go to Performance Data >](#)

4000K 10 W	13°	20°	30°	40°	55°
LUMENS	849	1316	1282	1322	1212
CANDELA	9570	4875	3079	2091	1461
EFFICACY	79.0 LM/W	109.2 LM/W	106.5 LM/W	109.9 LM/W	100.7 LM/W

PROFILE



OPTION



PROJECT: _____ TYPE: _____ CATALOG #: PS3-SO- _____ - _____ - _____ - _____ - _____ - _____

SPECIFICATION

Separate options with dashes

PS3 SO _____ _____ _____ _____ _____ _____ _____ _____

1	2	3	4	5	6	7	8	9
1 FIXTURE PROSPOT 3 PS3	2 WATTAGE STANDARD OUTPUT SO MOD: 300 DELIVERED LM	3 CCT 2200K 2200K 2700K 2700K 3000K 3000K 3500K 3500K 4000K 4000K RED REDST GREEN GRNST BLUE BLUST AMBER AMBST	4 OPTICAL DISTRIBUTION 6° 6 13° 13 20° 20 30° 30 40° 40 55° 55 HORIZONTAL SPREAD LENS HSL	5 MOUNTING SURFACE MOUNT SM 3G ANSI 136.31 rated EXTENDED ARM EXA-X X = arm length, see page 4 for details POLE MOUNT PM STAKE MOUNT STK Stake and cap are standard black finish JBOX MOUNT JBX Includes 0.50" threaded pipe for use with any standard outdoor rated threaded cover plate	6 VOLTAGE 120V 120 277V 277	7 CONTROLS NON-DIMMING NON 0 - 10V DIMMING DIM DMX DIMMING DMX All fixtures are shipped from the factory with default set at address 1. Fixtures are not pre-addressed or labeled at the factory. A DMXCAT tool is required for on-site fixture resolution and addressing. Must be ordered separately. See DMX Tool options below. A CDS/RDM Distribution Kit is required. Must be ordered separately. See DMX Tool options below. DMX controls are required. Must be ordered separately.	8 FINISH TEXTURED WHITE TWH TEXTURED BLACK TBL TEXTURED BRONZE TBR TEXTURED LIGHT BRONZE TLB TEXTURED GRAY TGR TEXTURED NATURAL TNA TEXTURED SANDSTONE TSA CUSTOM COLOR CUS Contact factory for custom color. Additional charges will apply.	9 OPTIONS VISOR ACCESSORY VS Visor is field installable SNOOT ACCESSORY SN Snoot is field installable INTEGRAL HEX LOUVER IHL 47% Light Loss Integral Hex Louver is not field installable CORROSION RESISTANT FINISH CRF CRF Complies with ASTM B117. CRF is suggested for coastal or extreme exterior environments. BUILD AMERICA BUY AMERICA ACT BAB Complies with BAA Contact factory for current offering.

DMX TOOLS (ORDER SEPARATELY)

CDS-RDM - REQUIRED FOR DMX DIMMING	PART NUMBER
DMX/RDM DISTRIBUTION KIT - IP67	SA27411
Consists of 4 outputs Each output is limited to (1) run per output - up to 32 fixtures max	

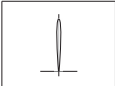
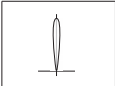
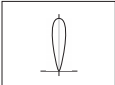
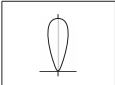
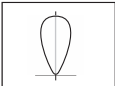
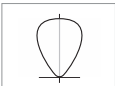
DMXCAT - REQUIRED FOR DMX DIMMING	PART NUMBER
REMOTE DMX/RDM ADDRESSING & MONITORING TOOL - IP67	SA27636
Uses Bluetooth LE technology for communication with the smartphone and the DMXcat app (up to a 50' range). Allows for on-site fixture resolution and addressing.	

DMX TERMINATOR - REQUIRED FOR DMX DIMMING	PART NUMBER
J-BOX DMX TERMINATOR	EL10462
One required per DMX run	

PROJECT: TYPE: CATALOG #: PS3-SO-------

PERFORMANCE

STANDARD OUTPUT

OPTIC	COLOR TEMPERATURE	WATTAGE	LUMENS (LM)	EFFICACY (LM/W)	PEAK CANDELA (CBCP)
 <p>6°</p>	4000K	7.0 W	399 LM	56.2.0 LM/W	22,211
 <p>13°</p>	4000K	12.0 W	849 LM	79.0 LM/W	9,570
 <p>20°</p>	4000K	12.0 W	1,316 LM	109.2 LM/W	4,875
 <p>30°</p>	4000K	12.0 W	1,282 LM	106.5 LM/W	3,079
 <p>40°</p>	4000K	12.0 W	1,322 LM	109.9 LM/W	2,091
 <p>55°</p>	4000K	12.0 W	1,212 LM	100.7 LM/W	1,461

All Insight White Light ies files are calculated with 4000K. For estimations of additional CCTs, please use the following multipliers:

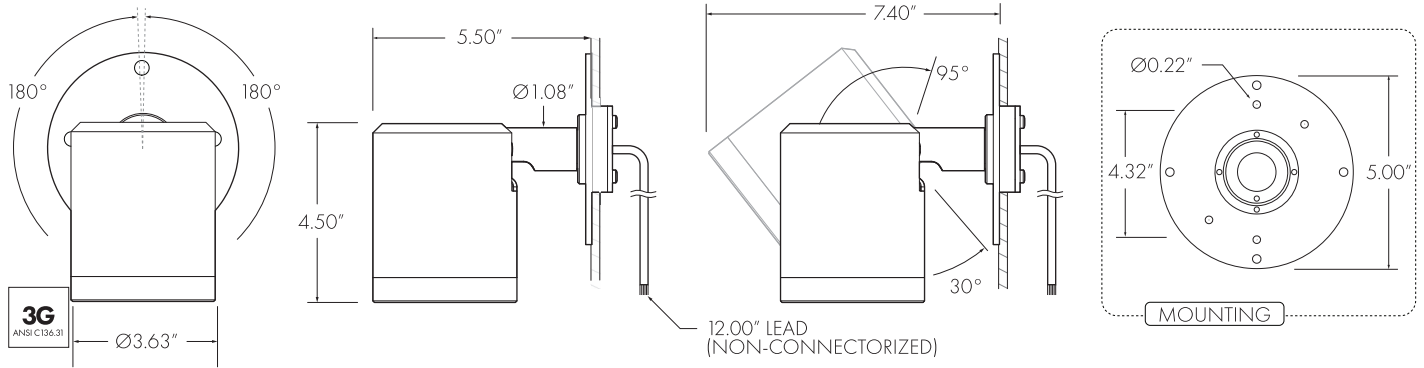
	2200K MULTIPLIER	2700K MULTIPLIER	3000K MULTIPLIER	3500K MULTIPLIER
LUMEN MULTIPLIERS	0.88	0.83	0.90	0.95

MULTIPLY THE 4000K LUMEN DATA BY THE ABOVE MULTIPLIERS

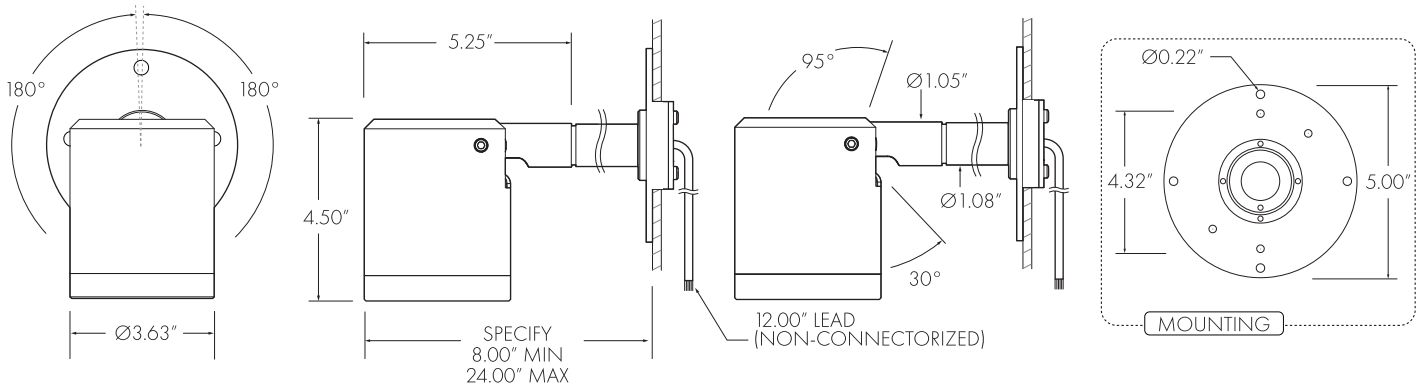
PROJECT: _____ TYPE: _____ CATALOG #: PS3-SO- _____ - _____ - _____ - _____ - _____ - _____

DIMENSIONS

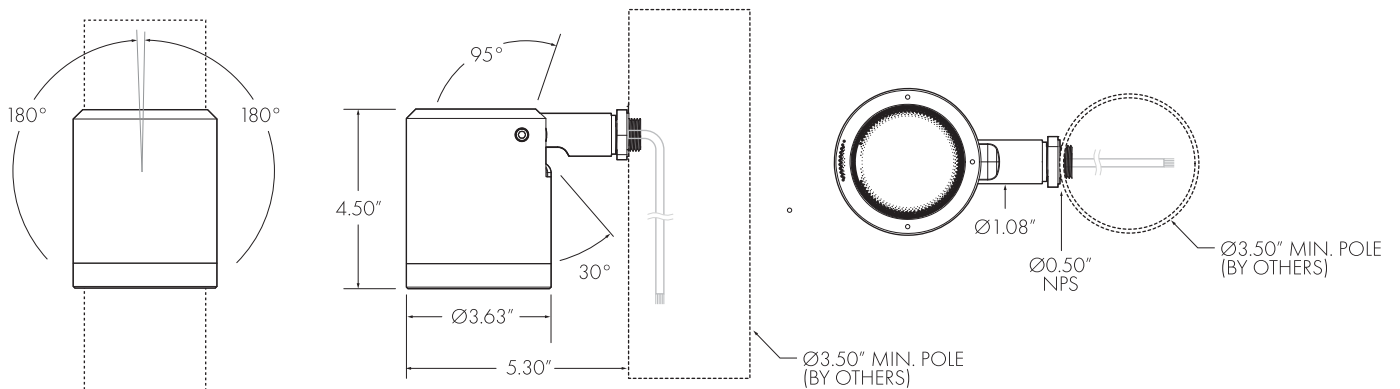
SURFACE MOUNT (SM)



EXTENDED ARM MOUNT (EXA-X)



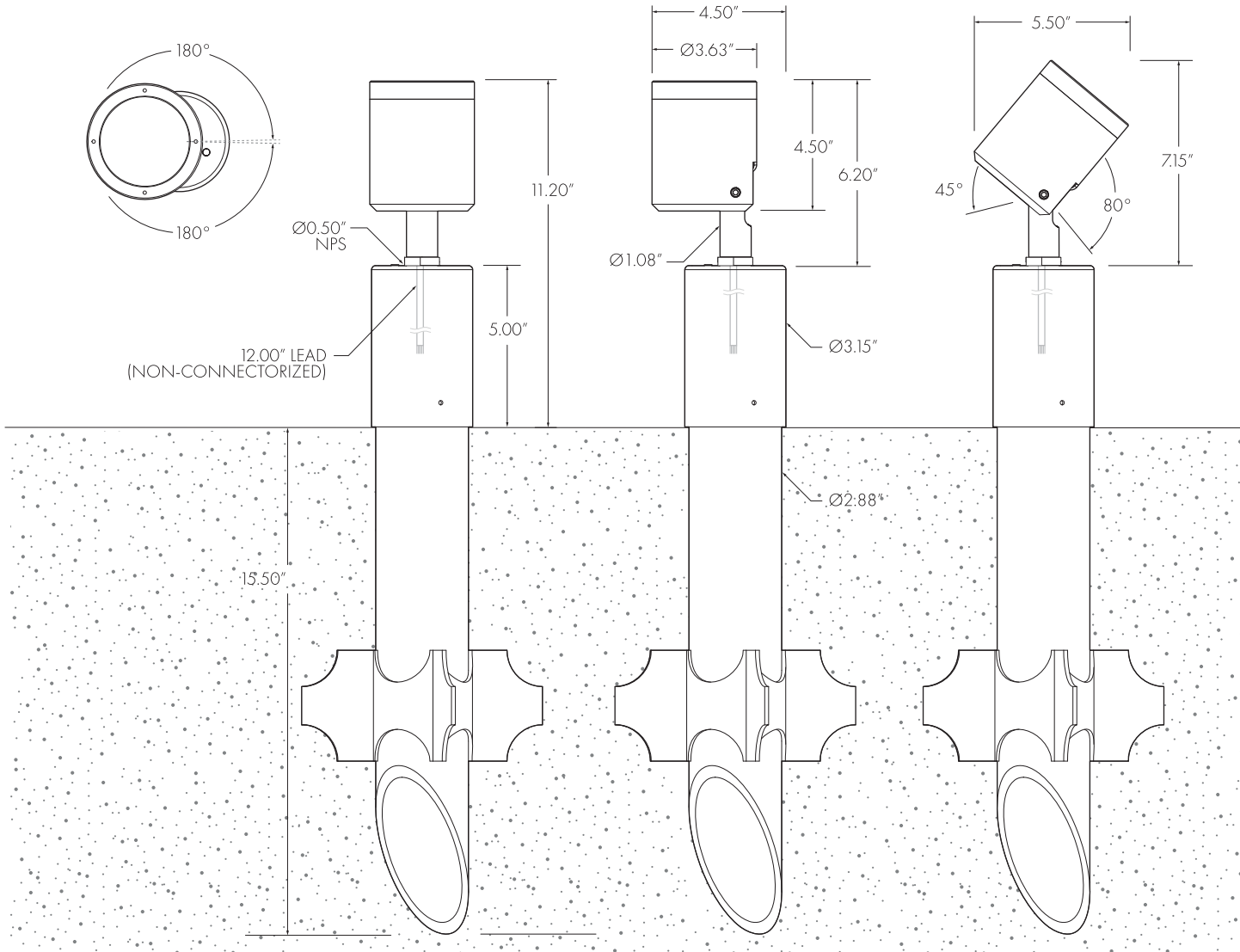
POLE MOUNT (PM)



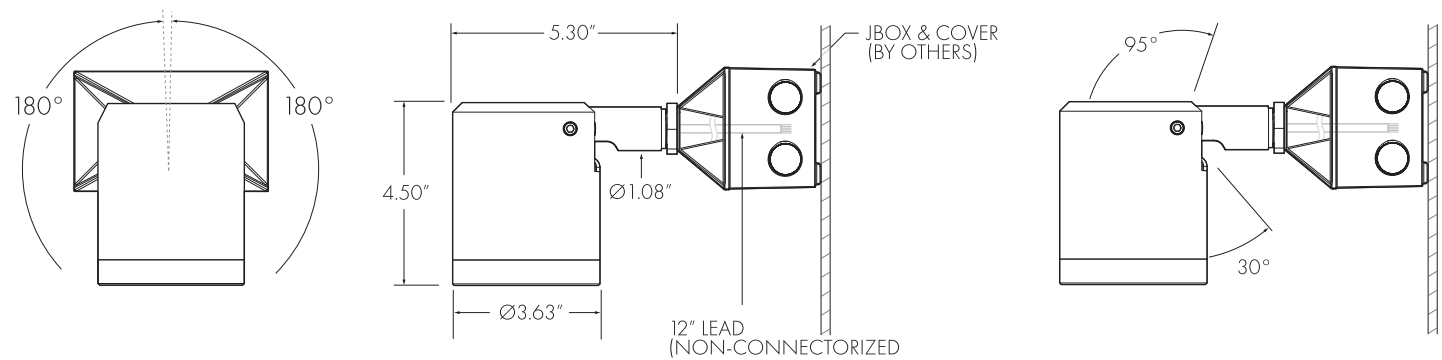
PROJECT: _____ TYPE: _____ CATALOG #: PS3-SO- _____ - _____ - _____ - _____ - _____ - _____

DIMENSIONS

STAKE MOUNT (STK)



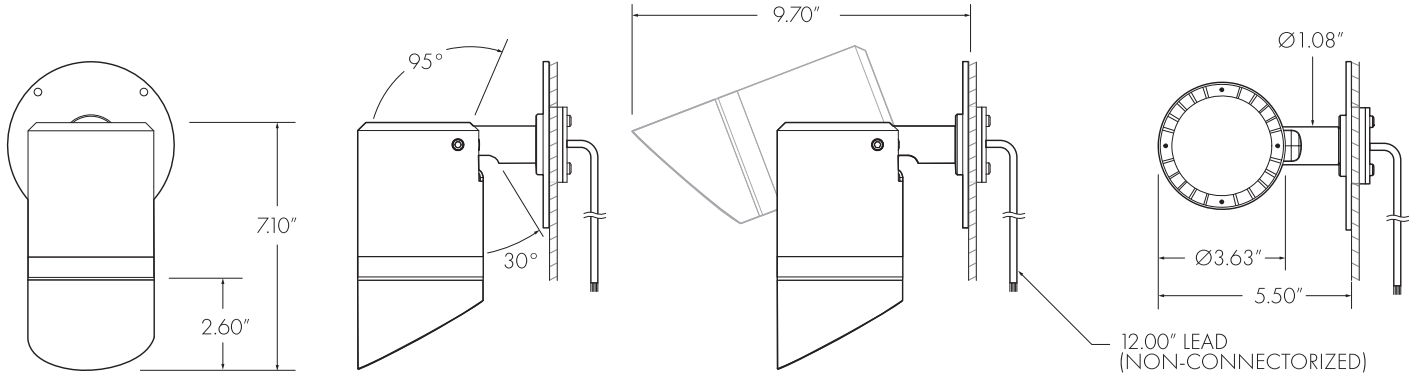
J-BOX MOUNT (JBX) J-Box supplied by others



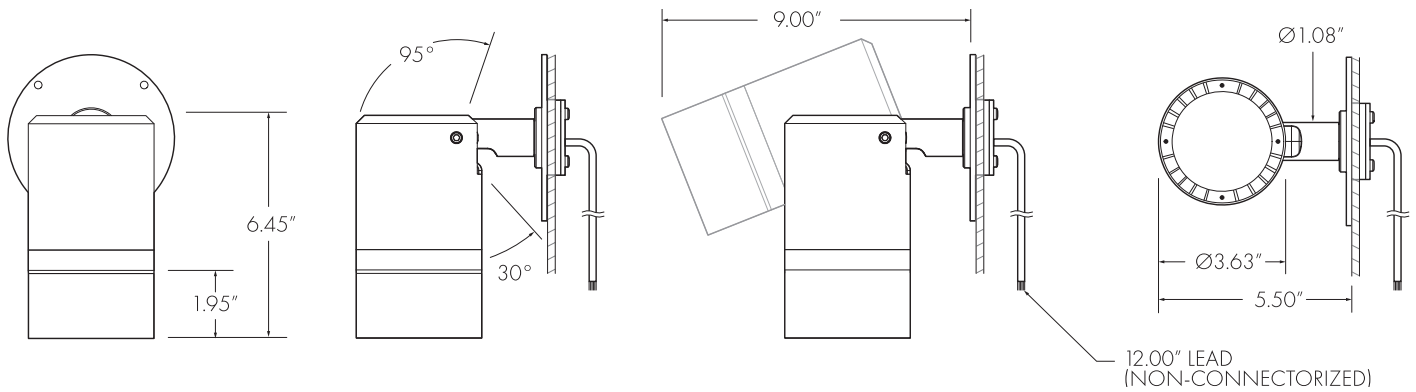
PROJECT: [] TYPE: [] CATALOG #: PS3-SO- [] - [] - [] - [] - [] - [] - []

ACCESSORIES

VISOR (VS)



SNOOT (SN)





DAY



NIGHT



DAY, WITH HEDGE



NIGHT, WITH HEDGE

ENTRY FEATURE RENDERINGS

Scale: NTS



Gretchen Wilde
Owner / Designer

1205 North Miller Road
Tempe, Arizona 85288
480.966.6565
480.966.5668(f)
signs@airparksigns.com

jb | gc Drawing Date 03-04-26

Project Name
Ranch House
Scottsdale Resort & Casitas
5401 N Scottsdale Rd
Scottsdale, AZ 85250

Client Name
Jackrabbit Property Company

Drawing Name & SC Number
Entry Feature D
SC#253440

Notes:

Revision Number/Date:

Client Approval/Date:

Page Number

1A.2

ALL SPECIFIED DETAILS ON THESE DRAWINGS ARE SUBJECT TO CHANGE DUE TO THE AVAILABILITY OF MATERIALS. PLEASE CHANGE IN THE METHOD OF FABRICATION. AIRPARK SIGNS & GRAPHICS SHALL NOT BE RESPONSIBLE FOR THE DELIVERY OF THESE DRAWINGS OR ALL ITEMS. IF THE CLIENT/OWNER REPRESENTATIVE WISHES TO RECEIVE DELIVERABLES, AIRPARK SIGNS & GRAPHICS MUST BE ADVISED IN WRITING PRIOR TO THE START OF FABRICATION. THIS IS AN OBLIGATION OF THE CLIENT. AIRPARK SIGNS & GRAPHICS SHALL NOT BE RESPONSIBLE FOR ANY PERSONAL USE IN CONNECTION WITH A PROPOSED PROJECT BEING PLANNED FOR YOU BY AIRPARK SIGNS & GRAPHICS. IT IS NOT TO BE REPRODUCED, COPIED, PHOTOGRAPHED, EXHIBITED OR USED IN ANY MANNER WITHOUT EXPRESSLY WRITTEN APPROVAL OF AIRPARK SIGNS & GRAPHICS.